

GW SERIES

Multipurpose Bench Scale

- General Industrial
- Manufacturing
- Food
- Shipping/Postal



Measurement
Canada **Approved**

CAS

www.cas-usa.com

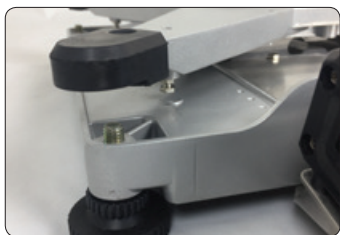
GW Series | Parcel/Shipping Scale

FEATURES

- Heavy Duty Cast Aluminum Base with Stainless Steel Platter
- Perfect as a General Industrial or Parcel/Shipping Scale
- Battery or AC Powered
- Full Featured Indicator
 - Weighing, Counting, Checkweighing, Percentage, & Accumulation
- Easy to Read 1" LCD Display with Blue Backlight
- USB and RS232 Interface
- UPS Worldship Compatible
- Numerous serial communication configuration capabilities enable communication and printing versatility



Visibility is insured by a backlit 1" high LCD display.

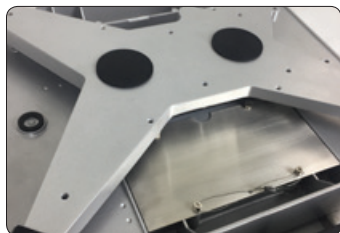


What's Included:

- Scale
- Power Adapter
- Manual

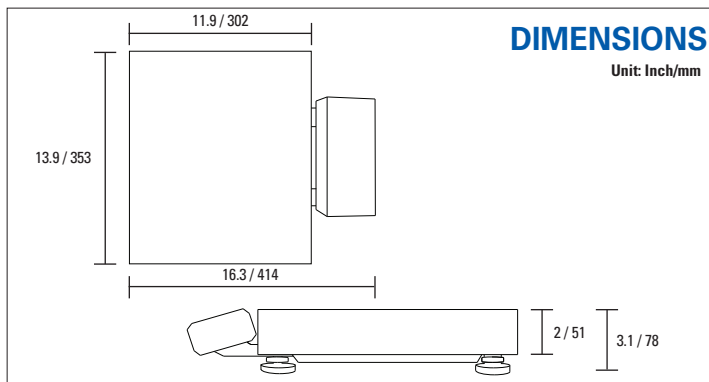
Options:

- USB Cable
- RS-232 Cable



SPECIFICATIONS

Model	GW-30	GW-70	GW-150
Capacity	30 x 0.01 lb	70 x 0.02 lb	150 x 0.05 lb
	15 x 0.005 kg	30 x 0.01 kg	60 x 0.02 kg
Display Resolution	1:3,000	1:3,500	1:3,000
Max Overload	150%		
Construction	Base: Heavy Duty Cast Aluminum Platter: Stainless Steel Indicator: Aluminum Alloy Housing		
Feet	4 x Fixed Bolt Design, Adjustable Height, Level Bubble		
Application Modes	Weighing/Counting/Checkweighing		
Units	lb/kg/g/oz/lb:oz		
Display	6-digit, 7-segment, 1" (25mm) LCD with blue backlight		
Function Keys	Setup/Hold, Print/Func, Acc/Total, Unit/Data, Tare/Preset, ON/OFF/Zero		
Zero Range	Programmable Zero Range		
Tare Range	Full Capacity		
Stabilization Time	Less than 3 Seconds		
Interface	One Full Duplex RS232, One USB		
Protocols	Serial Communication protocols similar to NCI-3835 and Toledo PS60		
Power	6VDC 500mA Adapter (Included) or 4xAA batteries (Not Included)		
Operating Temp	-10°C ~ 40°C / -14°F ~ 104°F Less than 90% Humidity, Non-Condensing		
Scale Dimensions	16.3" (L) x 13.9" (W) x 3.1" (H) 414 mm (L) x 353 mm (W) x 78 mm (H)		
Platter Dimensions	11.9" (L) x 13.9" (W) 302 mm (L) x 353 mm (W)		
Approvals	NTEP: COC# 16-104		
	Measurement Canada: AM-6045		
	CE, WEEE, UL, CUL, BS, FCC		
Warranty	2 Years		
Product Weight	11 lbs / 5 kg		



CAS

99 Murray Hill Parkway
East Rutherford, NJ 07073
TEL: (201) 933-9002
FAX: (201) 933-9025
<http://www.cas-usa.com>



Specifications are subject to change for improvement without prior notice.