

# MSI Shear Web Load Cell

## Standard Features

- Designed to be placed above the trunnion of a load block, this integrated low-profile load cell eliminates headroom loss
- Off-axis compensation

## Specifications

**Accuracy (Static Load):**  
± (0.1%) of rated capacity

**Accuracy (System):**  
± (0.5%) of rated capacity

**Material:**  
4340 alloy steel, zinc plated

**IP Rating:**  
IP67

**Resistance:**  
700 ohms

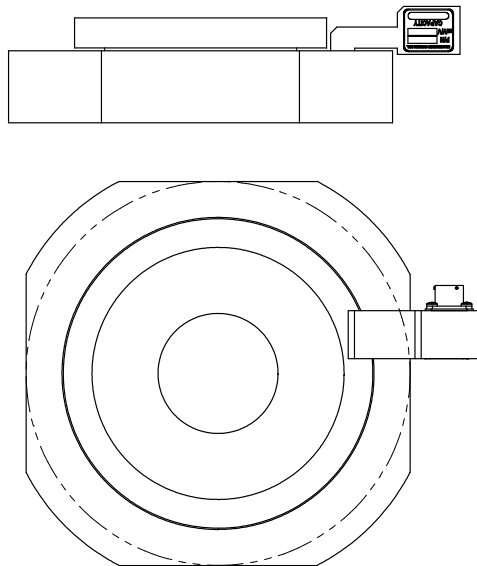


## Part Number/Price

Part #	Description	Est. Weight	Price
160651	10,000 lb/5,000 kg capacity	5 lb	Consult
163595	20,000 lb/10,000 kg capacity	10 lb	Consult
163596	40,000 lb/20,000 kg capacity	20 lb	Consult
163829	60,000 lb/30,000 kg capacity	30 lb	Consult
163597	80,000 lb/40,000 kg capacity	34 lb	Consult
163598	100,000 lb/50,000 kg capacity	38 lb	Consult
159550	120,000 lb/60,000 kg capacity	60 lb	Consult
163599	160,000 lb/80,000 kg capacity	105 lb	Consult
163600	200,000 lb/100,000 kg capacity	215 lb	Consult

## Options/Accessories

Part #	Description	Price
165978	Load cell interface cable to TranSend™, 6.5 ft	Consult
165979	Load cell interface cable to TranSend, 10 ft	Consult
165980	Load cell interface cable to TranSend, 16 ft	Consult
165989	Load cell interface cable to TranSend, 20 ft	Consult
165990	Load cell interface cable to TranSend, 25 ft	Consult
165991	Load cell interface cable to TranSend, 32 ft	Consult
134498	Load cell interface cable to CellScale™, 5 ft	Consult
134495	Load cell interface cable to CellScale, 10 ft	Consult
134500	Load cell interface cable to CellScale, 15 ft	Consult
134499	Load cell interface cable to CellScale, 20 ft	Consult
134501	Load cell interface cable to CellScale, 25 ft	Consult



## Dimensions

Part #	Capacity	A	B	C (+0.005- 0.000)	D	E	F	G	H	Required Hook Shank Diameter (+0.000,-0.005)
160651	10,000 lb	3.500	1.350	1.005	2.450	1.880	4.905	1.500	1.000	1.000
163595	20,000 lb	6.000	2.500	1.505	3.500	2.443	7.405	1.750	1.250	1.500
163596	40,000 lb	7.500	3.150	2.005	5.000	2.580	8.905	2.000	1.375	2.000
163829	60,000 lb	8.000	3.190	2.505	5.250	2.695	9.405	2.188	1.500	2.500
163597	80,000 lb	8.500	3.650	3.505	5.750	2.680	9.905	2.313	1.500	3.500
163598	100,000 lb	9.125	3.873	4.005	7.000	2.382	10.530	2.668	1.875	4.000
159550	120,000 lb	9.125	3.873	4.005	7.000	2.382	10.530	2.813	2.000	4.000
163599	160,000 lb	16.000	7.030	6.005	14.500	2.955	17.405	4.625	2.500	6.000
163600	200,000 lb	16.000	7.030	6.005	14.500	2.955	17.405	5.125	3.000	6.000