

RL1521A

Aluminum, Environmentally Sealed, NTEP Certified 1:5,000 Class III Single Cell, IP66



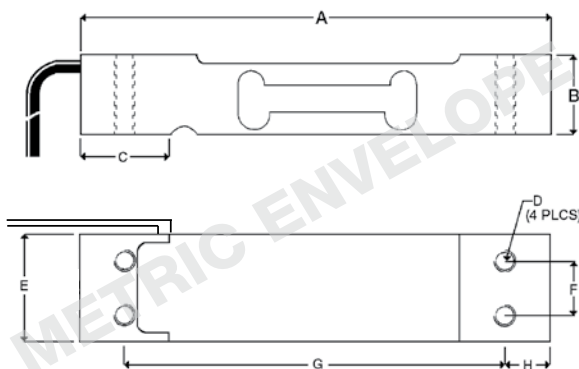
Dimension

Picture is a representation of actual products

Rated Capacity	A	B	C	D	E	F	G	H
kg/mm								
3-7	130.0	22.0	25.0	M6 x 1.0	25.4	15.0	106.0	12.0
10-30	130.0	22.0	25.0	M6 x 1.0	30.0	15.0	106.0	12.0
35	130.0	22.0	25.0	M6 x 1.0	40.0	15.0	106.0	12.0
lb/in								
6.6-15.4	5.12	0.87	0.99	M6 x 1.0	1.00	0.59	4.17	0.47
22.0-66.2	5.12	0.87	0.99	M6 x 1.0	1.18	0.59	4.17	0.47
77.2	5.12	0.87	0.99	M6 x 1.0	1.57	0.59	4.17	0.47

Order Information:

Load Rating	Part#	Est. Weight	Price
1.50 ft Cables			
3 kg	50620	1 lb	Consult
5 kg	50619	1 lb	Consult
7 kg	50621	1 lb	Consult
10 kg	50622	1 lb	Consult
15 kg	50623	1 lb	Consult
20 kg	50624	1 lb	Consult
30 kg	50625	1 lb	Consult
35 kg	50626	1 lb	Consult
10 ft Cables			
3 kg	132261	3 lb	Consult
5 kg	132262	3 lb	Consult
7 kg	132263	3 lb	Consult
10 kg	132264	3 lb	Consult
15 kg	132265	3 lb	Consult
20 kg	132266	3 lb	Consult
30 kg	132267	3 lb	Consult
35 kg	132268	3 lb	Consult



Interchangeable Products

- VPG CELTRON®
- LPS except 3 kg** page 225
- VPG TEDEA-HUNTLEIGH®
- 1022** page 348
- VPG BLH®
- C2G1** —
- FAIRBANKS®
- 4900 Series Checkweighers** —
- NMB®
- C2G1** —
- ARTECH®
- 61022** —

Specifications

- Full Scale Output:**
2.0 mV/V
- Output Resistance:**
350 (± 3) ohm
- Input Resistance:**
410 (± 15) ohm
- Material/Finish:**
Aluminum
- Temperature:**
Compensated range
14°F to 104°F/-10°C to 40°C
Operating range
-40°F to 150°F/-40°C to 65°C
- Safe Overload:**
150% full scale
- Rated Excitation:**
5-10 VDC (15 V maximum)
- Total Error:**
0.03% full scale
- Insulation Resistance:**
2,000 megohms
- Seal Type:**
Environmentally sealed, IP66
- Cable Length:**
1.50 ft (0.5 m)
10 ft (3.1 m)
- Cable Diameter:**
0.14 PVC jacket
- Cable Color Code:**
Green + Excitation
Black - Excitation
Red + Signal
White - Signal

Max Platform Size:
13.75 in x 13.75 in

Warranty:
Two-year limited warranty

Approvals:

