

# RL75114-50K

Stainless Steel, Welded Seal, NTEP Certified 1:10,000 Class III L, IP67



## Dimensions

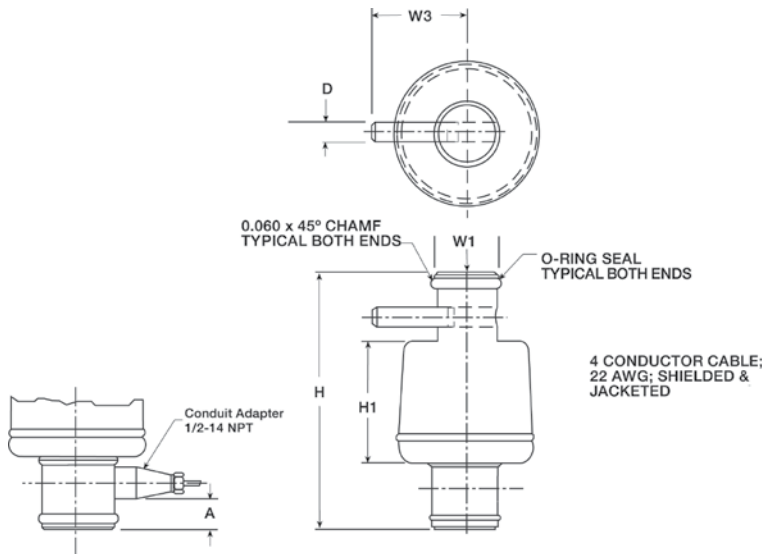
Picture is a representation of actual product

Rated Capacity	A	D	H	H1	W1	W3
lb/in						
50,000 LE*	0.87	0.38	7.56	2.82	1.46	2.18
kg/mm						
22,680.0	15.6	9.7	192.0	71.6	37.08	63.5

## Order Information

Load Rating	Part#	Est. Weight	Price
50,000 lb	88074	6 lb	Consult
<b>Replacement Parts</b>			
Replacement O-ring	92988	1lb	Consult
Spring pin	116181	1 lb	Consult

\* LE refers to large envelope  
Not interchangeable with Sensortronics 65114 - different mV/v



## Interchangeable Products

FAIRBANKS®  
**64166**..... LCF HR 4020-2

## Specifications

- Full Scale Output:**  
1.8 mV/v nominal
- Output Resistance:**  
1,000 (± 10) ohm
- Input Resistance:**  
1,000 ohm
- Material/Finish:**  
Stainless steel
- Temperature:**  
Compensated Range  
14°F to 104°F/-10°C to 40°C  
Operating range  
-40° F to 150° F/-40° C to 65° C
- Safe Overload:**  
150% full scale
- Rated Excitation:**  
5-10 VDC
- Combined Error:**  
0.025% full scale
- Non-repeatability:**  
0.01% full scale
- Insulation Resistance:**  
1,000 megohms
- Seal Type:**  
Welded seal, IP67
- Cable Length:**  
30 ft (9 m)
- Cable Diameter:**  
0.200 overbraid cable
- Cable Color Code:**  
Green .....+ Excitation  
Black.....- Excitation  
White .....+ Signal  
Red .....- Signal
- Warranty:**  
Two-year limited warranty

### Approvals:

