

RLCSP1

Stainless Steel, Welded Seal, NTEP Certified 1:10,000 Class IIIIL Multiple Cell, IP67



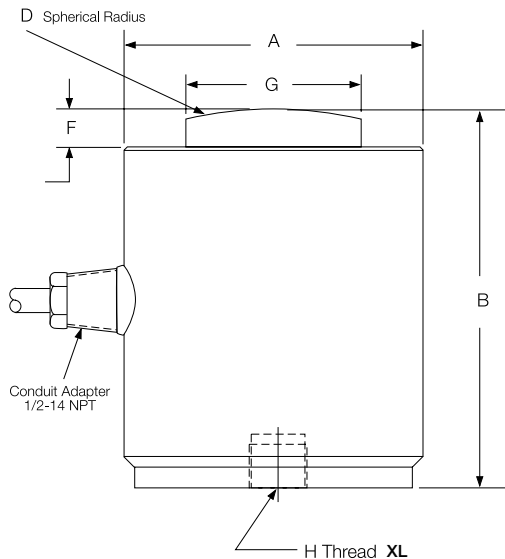
Picture is a representation of actual product

Dimensions

Rated Capacity	A	B	D	F	G	H	L-DEPTH
lb/in							
25,000-50,000	3.00	3.25	6.00	0.40	1.25	1/2-20 UNF	0.31
100,000	4.00	5.00	6.00	0.51	2.31	3/4-16 UNF	0.56
200,000	6.00	7.25	17.00	1.04	3.13	3/4-16 UNF	0.75
kg/mm							
11,339.8-22,679.6	76.2	82.6	152.4	10.2	31.8	1/2-20 UNF	7.9
45,359.2	101.6	127.0	152.4	13.0	58.7	3/4-16 UNF	14.2
90,718.5	152.4	184.2	431.8	26.4	79.5	3/4-16 UNF	19.1

Order Information

Load Rating		Part#	Est. Weight	Price
25,000 lb	11,339.8 kg	32702	7 lb	Consult
50,000 lb	22,679.6 kg	32701	7 lb	Consult
100,000 lb	45,359.2 kg	32700	15 lb	Consult
200,000 lb	90,718.5 kg	32699	28 lb	Consult



Interchangeable Products

VPG REVERE®	
CSP	page 301
VPG SENSORTRONICS®	
65088-1000	—
VPG REVERE®	
692B	—
HOWE RICHARDSON®	
244699-000X	—
STREETER AMET®	
3760XXX	—

Weigh Module Available

RICE LAKE WEIGHING SYSTEMS	
MagnaMount®	page 101

Specifications

- Full Scale Output:**
2.0 mV/V
- Output Resistance:**
475.2-484.8 ohm
- Input Resistance:**
445.5-454.5 ohm
- Material/Finish:**
Stainless steel
- Temperature:**
Compensated range
14°F to 104°F/-10°C to 40°C
Operating range
-40°F to 150°F/-40°C to 65°C
- Safe Overload:**
150% full scale
- Rated Excitation:**
5-10 VDC (15 V maximum)
- Combined Error:**
0.03% full scale
- Non-repeatability:**
0.01% full scale
- Insulation Resistance:**
1,000 megohms
- Deflection at Capacity:**
25,000 lb-50,000 lb=0.003 in (0.076 mm)
100,000 lb-200,000 lb=(0.006 in (0.152 mm)
- Seal Type:**
Welded seal, IP67
- Cable Length:**
35 ft (10.7 m)
- Cable Diameter:**
0.305 polyurethane jacket
- Cable Color Code:**
Green + Excitation
Black - Excitation
White + Signal
Red - Signal
Orange Shield

Warranty:
Two-year limited warranty

Approvals:

