

RLHTO

Stainless Steel, Hermetically Sealed, OIML C3, IP66/68



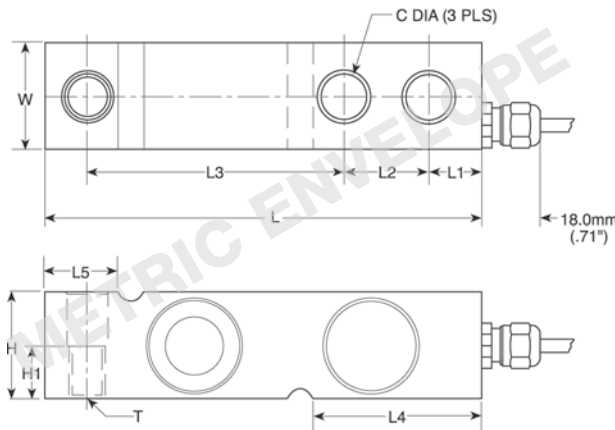
Dimensions

Picture is a representation of actual product

Rated Capacity	C	H	H1	L	L1	L2	L3	L4	L5	T	W
kg/mm											
500-2,000	13.5	32.0	16.0	130.0	15.8	25.4	76.2	50.5	23.5	M12 x 1.75	32.0
5,000	20.5	48.0	—	171.5	19.0	38.1	95.3	70.0	37.0	—	36.5
lb/in											
1,102.3-4,409.2	0.53	1.26	0.63	5.12	0.62	1.00	3.00	1.99	0.93	M12 X 1.75	1.26
11,023.1	0.80	1.89	—	6.75	0.75	1.50	3.75	2.76	1.46	—	1.44

Order Information

Load Rating		Part #	Est. Weight	Price
500 kg	1,102.3 lb	31253	3 lb	Consult
1,000 kg	2,204.6 lb	31250	3 lb	Consult
2,000 kg	4,409.2 lb	31251	3 lb	Consult
5,000 kg	11,023.1 lb	31252	5 lb	Consult



Interchangeable Products

VPG TEDEA-HUNTLEIGH®
3510-OIML..... page 346

Weigh Module Available

RICE LAKE WEIGHING SYSTEMS
1700 HE..... page 34

Specifications

Full Scale Output:
2.0 mV/V

Output Resistance:
350 (± 3) ohm

Input Resistance:
380 (± 10) ohm

Material/Finish:
Stainless steel

Temperature:
 Compensated range
 14°F to 104°F/-10°C to 40°C
 Operating range
 -40°F to 150°F/-40°C to 65°C

Safe Overload:
150% full scale

Safe Sideload:
100% full scale

Rated Excitation:
5-10VDC (15V maximum)

Total Error:
0.02% applied load

Insulation Resistance:
2,000 megohms

Deflection at Capacity:
500 kg-5,000 kg = 0.4 mm (0.015 in)

Seal Type:
Hermetically sealed, IP66/68

Cable Length:
5 m (16.4 ft)

Cable Diameter:
0.220 polyurethane jacket

Cable Color Code:
 Blue + Excitation
 Black - Excitation
 Green + Sense
 Grey - Sense
 White + Signal
 Red - Signal

Warranty:
Two-year limited warranty

Approvals:

