

# RLPC6

Stainless Steel, Hermetically Sealed, NTEP Certified 1:5,000 Class III Single Cell, IP69K



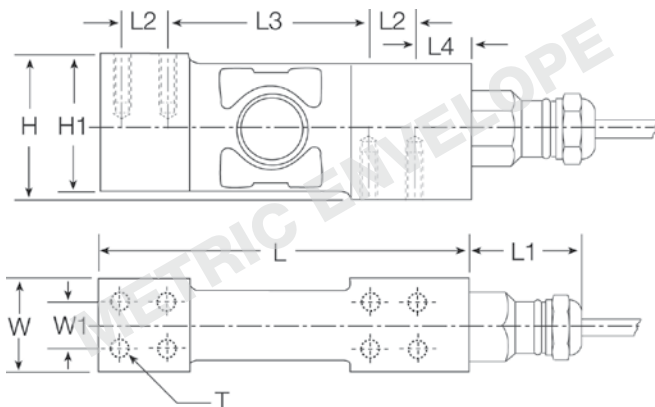
## Dimensions

Picture is a representation of actual product

Rated Capacity	H	H1	L	L1	L2	L3	L4	W	W1	T
kg/mm										
10-200	48.0	45.5	123.0	41.0	15.2	67.6	17.8	30.1	15.2	8 x M6/15 DP
lb/in										
22-441.0	1.89	1.80	4.84	1.61	0.60	2.66	0.70	1.18	0.60	8 x M6/15 DP

## Order Information

Load Rating	Part#	Est. Weight	Price
10 kg	87027	3 lb	Consult
20 kg	87028	3 lb	Consult
50 kg	87029	3 lb	Consult
100 kg	87030	3 lb	Consult
200 kg	87031	3 lb	Consult



## Interchangeable Products

FLINTEC®  
PC6 ..... page 247

## Specifications

- Full Scale Output:**  
2.0 mV/v
- Output Resistance:**  
960 (± 50) ohm, nominal
- Input Resistance:**  
1,100 (± 50) ohm
- Material/Finish:**  
Stainless steel
- Temperature:**  
Compensated range  
14° F to 104° F / -10° C to 40° C  
Operating range  
-40° F to 150° F / -40° C to 65° C
- Safe Overload:**  
200% full scale
- Safe Sideload:**  
100% full scale
- Rated Excitation:**  
5-10 VDC
- Total Error:**  
0.02% full scale
- Insulation Resistance:**  
5,000 megohms
- Seal Type:**  
Hermetically sealed, IP69K
- Cable Length:**  
10 ft (3.1 m)
- Cable Diameter:**  
0.196 polyurethane jacket
- Cable Color Code:**  
Green .....+ Excitation  
Black .....- Excitation  
White .....+ Signal  
Red .....- Signal  
Yellow ..... Shield
- Max Deflection:**  
0.006-0.010
- Max Platform Size:**  
24 in x 24 in
- Warranty:**  
Two-year limited warranty

### Approvals:

