

# 150-10-7 Digital Physician Scale

Floor-level

## Specifications

### Capacity:

550 lb x 0.2 lb (250 kg x 0.1 kg)

### Platform Dimensions:

(W x L x H) 14.5 in x 14.5 in x 3 in

### Power:

9 VDC, provided by six AA alkaline batteries (included) or AC adaptor (optional)

### Battery Type:

Six AA alkaline (included)

### Battery Use:

25 hours continuous use with batteries  
Automatic power-off can be configured

### Operating Temperature:

50° F to 104° F (14° C to 40° C)

### Display:

5-digit LCD display, 0.75 in (1.9 mm) digit height

### Approvals:

c-Met, E113986

### Warranty:

Two-year limited warranty



Model 150-10-7

## Standard Features

- Large, stable scale base
- Push-button LCD display
- BMI (body mass index) function
- Hold function
- Units of measure: lb only, kg only, lb/kg
- Motiontrap™ movement compensation technology
- EHR capable
- 6 ft cable between digital display and base

## Part Number/Price

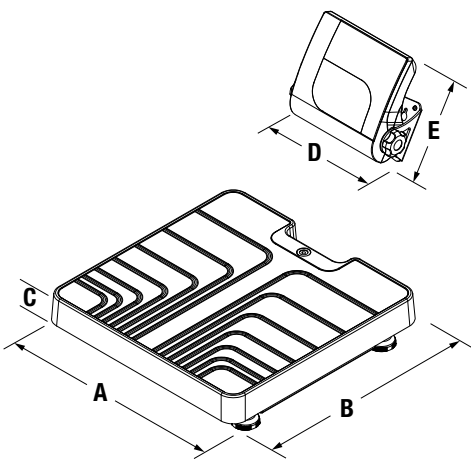
Part #	Model	Capacity	Price
121304	150-10-7	550 lb x 0.2 lb (250 kg x 0.1 kg), with USB	Consult
161820	150-10-7BT	550 lb x 0.2 lb (250 kg x 0.1 kg), with USB and Bluetooth® 2.0	Consult

## Shipping Weight

Part #	Model #	L (in)	W (in)	H (in)	Package Wgt. (lb)	Dim Wgt. (lb)	Shipping Wgt. (lb)
121304	150-10-7	25	18	6	17	20	20
161820	150-10-7BT	25	18	6	17	20	20

## Options/Accessories

Part #	Description	Price
107445	Carrying case	Consult
115655	9 VDC adaptor, 120 V/230 V auto switching c-MET Medical grade power supply	Consult
133077	9 VDC adaptor, 120 V/230V auto switching	Consult
102508	9 VDC adaptor, 230 V	Consult
81076	Epson TM-U220 tape printer	Consult
186830	Printer cable, 25-pin D-Sub male to RJ-45, 6 ft	Consult

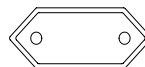


## Dimensions

	Inches	Centimeters
A	14.7	37.5
B	14.7	37.5
C	3.0	7.8
D	7.8	20
E	6.7	17



† NEMA 1-15 Plug



†† CEE 7/16 Plug