

# 350-10-3 Dual-ramp Wheelchair Scale

with Handrail

## Specifications

### Capacity:

1,000 lb x 0.2 lb (450 kg x 0.1 kg)

### Platform Dimensions:

(W x L x H) 32 in x 29.5 in x 2.375 in

### Power:

9 VDC, provided by six AA alkaline batteries (included) or AC adaptor (optional)

### Battery Type:

Six AA alkaline (included)

### Battery Use:

25 hours continuous use with batteries  
Automatic power-off can be configured

### Operating Temperature:

50° F to 104° F (14° C to 40° C)

### Display:

5-digit LCD display, 0.75 in (1.9 mm) digit height

### Approvals:

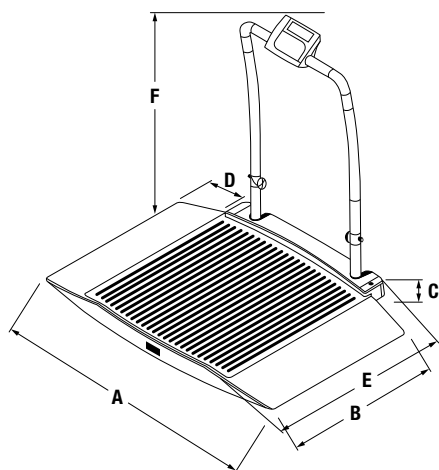
c-Met, E113986

### Warranty:

Two-year limited warranty



Wheelchair scale in folded position



## Dimensions

	Inches	Centimeters
A	48.5	123.2
B	32	81.3
C	2.375	6.0
D	9.25	23.5
E	38	96.5
F	45	114.3

## Standard Features

- Dual ramp for on/off access
- Integrated wheels for easy transport
- Large, stable scale base
- Push-button LCD display
- BMI (body mass index) function
- Hold function
- Ability to manually enter the tare weight of additional items, such as a wheelchair or oxygen tank
- Units of measure: lb only, kg only, lb/kg
- Motiontrap™ movement compensation technology
- EHR capable

## Part Number/Price

Part #	Model	Capacity	Price
141447	350-10-3	1,000 lb x 0.2 lb (450 kg x 0.1 kg) with USB	Consult
168353	350-10-3BT	1,000 lb x 0.2 lb (450 kg x 0.1 kg) with USB and Bluetooth® 2.0	Consult

## Shipping Weight

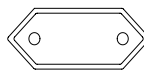
Part #	Model #	L (in)	W (in)	H (in)	Package Wgt. (lb)	Dim Wgt. (lb)	Shipping Wgt. (lb)
141447	350-10-3	51	42	14	102	216	216
168353	350-10-3BT	50	41	13	98	192	192

## Options/Accessories

Part #	Description	Price
115655	9 VDC adaptor, 120 V/230 V auto switching c-MET Medical grade power supply	Consult
133077	9 VDC adaptor, 120 V/230V auto switching	Consult
102508	9 VDC adaptor, 230 V	Consult
81076	Epson TM-U220 tape printer	Consult
186830	Printer cable, 25-pin D-Sub male to RJ-45, 6 ft	Consult



† NEMA 1-15 Plug



†† CEE 7/16 Plug