

# Photo Eyes



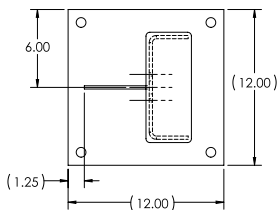
Retro-reflective

## Standard Features

- Many varieties available for both truck scale and dynamic weighing applications
- Arrange photo eyes to keep wheels on scale
- Rugged outdoor applications
- Reflective types work up to 17 ft (2.13 m) in clean conditions
- Quick disconnects for easy replacement
- Broken beams can signal a wheel off the scale or prevent a weighment in unattended systems
- Transmitter/receiver types work up to 100 ft (30.48 m) in clean conditions

## Part Number/Price

Part #	Description	Price
<b>Photo Eyes</b>		
78975	Allen-Bradley® photo eye retro-reflective sensor	Consult
78976	Photo eye reflector, 3 in diameter	Consult
78977	Quick disconnect photo eye cable, 12 ft, 5-Pin mini connector	Consult
<b>Photo Switches</b>		
165776	Kit, photo eye switch	Consult
103013	Photo switch receiver	Consult
103014	Photo switch transmitter	Consult
103015	Photo switch quick connector receiver	Consult
103016	Photo switch quick connector transmitter	Consult
130398	Mounting swivel assembly for 103103 and 103014	Consult
156532	Photo eye stand kit	Consult



PN 156532 photo eye stand kit dimensions

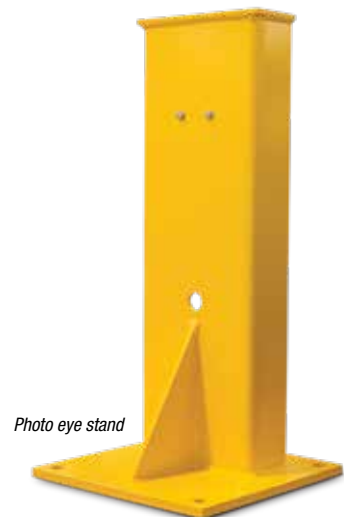
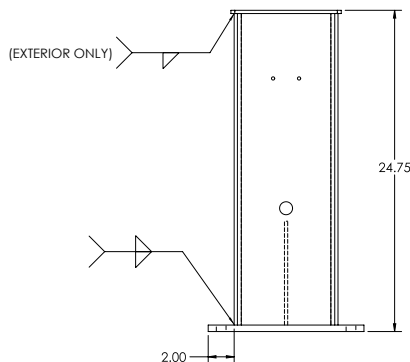


Photo eye stand