

Standard Features

- Direct thermal kiosk tape printer
- Slide door access to ticket
- 8 in paper roll (PN 105446)

Printer Kiosk with Intercom

- Intercom substation AI phone

Printer Kiosk with Ethernet Intercom

- Intercom substation Ethernet TCP/IP

Specifications

Line Voltages:

115 or 230 VAC

Frequency:

50 or 60 Hz

Power Consumption:

0.5 amps (depending on options)

Fusing:

3.15 amps circuit breaker

Humidity:

0-95% relative humidity

Rating/Material:

NEMA Type 1

IP10

Printer Serial Ports:

RS-232

Ethernet (optional)

Storage Temperature:

14 to 158° F (-10 to 70° C)

Warranty:

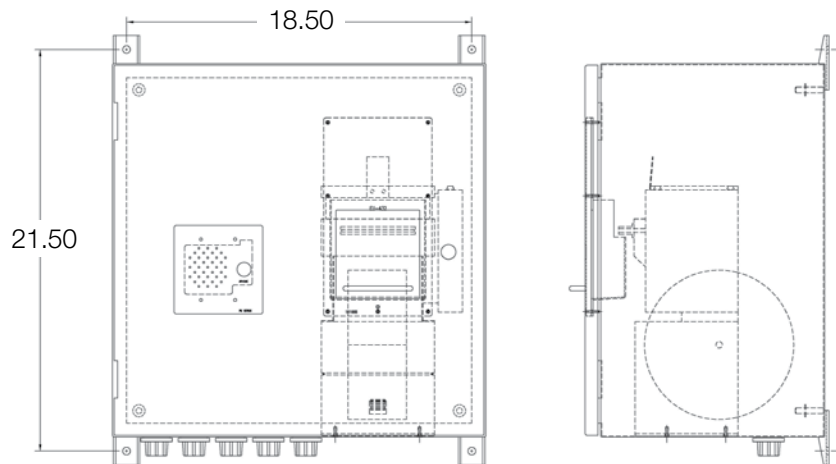
Two-year limited warranty



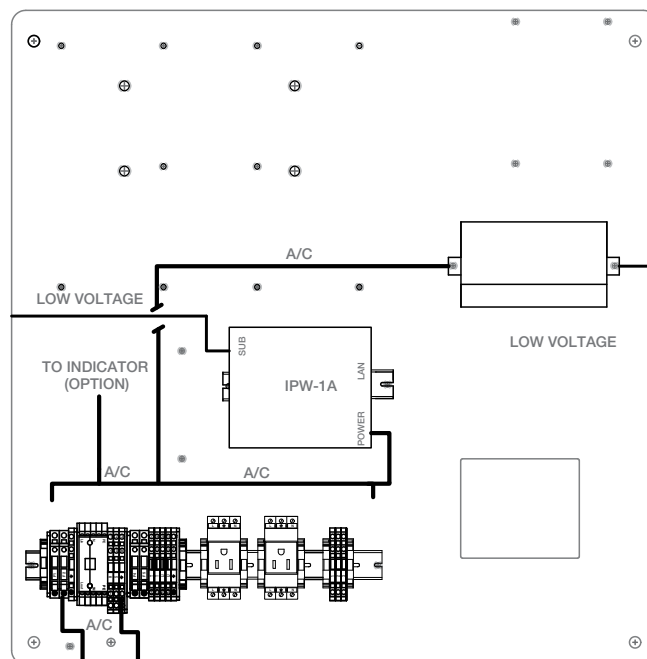
PN 112836



PN 120029



Printer Kiosk with Intercom



Printer Kiosk with Ethernet Intercom

Printer Kiosk

Thermal-transfer Printer Kiosk



Basic printer kiosk with optional RFID card reader and optional number keypad



Basic printer kiosk
PN 92971



Basic printer kiosk with optional RFID card reader

Standard Features

- Thermal transfer ticket printer kiosk
- Painted mild steel enclosure
- Slide door access to ticket
- Zinc-plated 3/4-inch NPT conduit hubs
- Additional options available upon request

Specifications

Line Voltages:

115 or 230 VAC

Frequency:

50 or 60 Hz

Power Consumption:

0.5 amps (depending on options)

Fusing:

6 amp circuit breaker

Humidity:

0-95% relative humidity

Rating/Material:

NEMA Type 1

IP10

Printer Serial Ports:

RS-232

Ethernet (optional)

Storage Temperature:

14° F to 158° F (-10° C to 70° C)

Current Supported Riser Plates:

Zebra® 140XilliPlus

Zebra 105SL

Zebra R110Xi

Zebra Z4Mplus

Zebra 2746e

Honeywell I-4208

Honeywell 4206

Honeywell I-4308

Honeywell I-4210

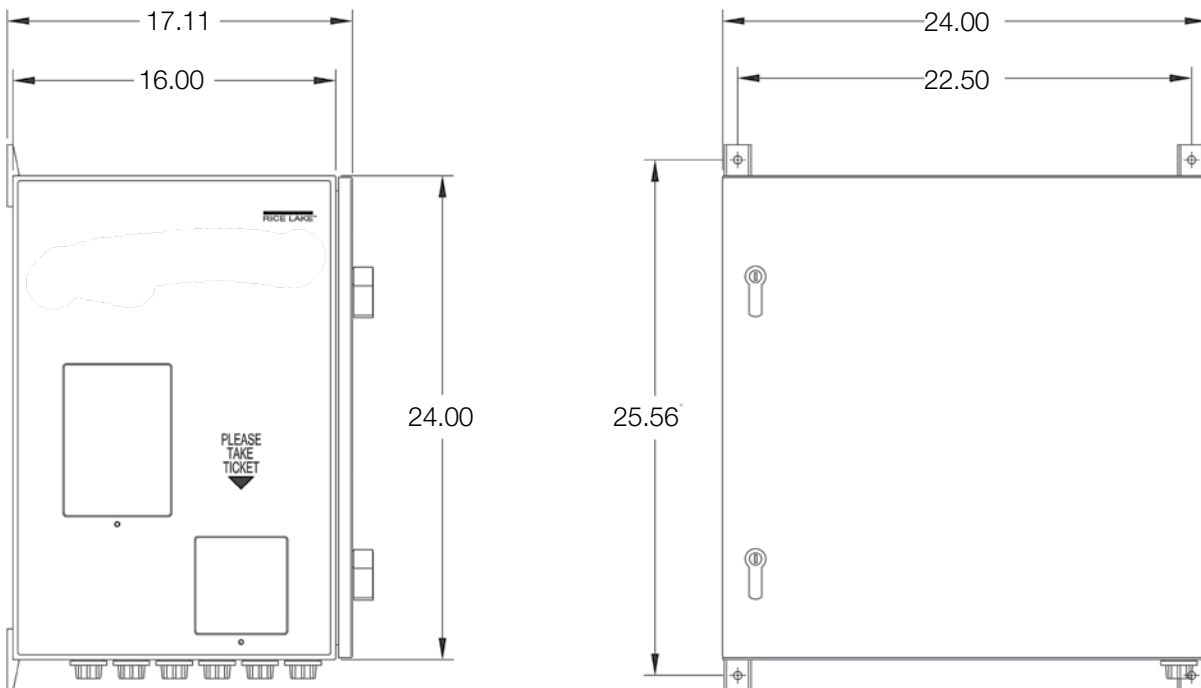
Honeywell I-4212

Intermec® 3400e

Intermec 4440

Warranty:

Two-year limited warranty



Part Numbers/Price

Part #	Description	Price
92971	Printer kiosk, inbound base unit 115 VAC (printer not included)	Consult
120029	Printer kiosk, thermal ticket printer with AI phone Ethernet intercom/requires use of PC. 20 x 20 x 12 in painted mild steel enclosure	Consult
112836	Printer kiosk, thermal ticket printer 20 x 20 x 12 in painted mild steel enclosure	Consult

A test plan is included with each kiosk.

Consult factory for private label versions.

Options/Accessories

Part #	Description	Price
119693	200 watt heater	Consult
119761	Ethernet unmanaged switch, five-port	Consult
119946	Single port Ethernet server	Consult
120040	Dual port Ethernet server, for use with 120028 and 120029	Consult
93463	Printer riser plate for Datamax® I-4212e	Consult
93468	Printer riser plate for Intermec® 3400e	Consult
176452	HID smart card reader	Consult
131143	Honeywell I-4212e, direct thermal RS-232, parallel and USB	Consult
64884	Thermal transfer option Honeywell	Consult
131150	Ethernet option Honeywell	Consult
53918	Cutter option Honeywell	Consult
109298	Tag, direct thermal, 4 in wide, 7.2 pt continuous 480 ft roll	Consult
158974	Single-channel audio amplifier for Ethernet intercom (use with speaker horn 181686)	Consult
Consumables		
105445	Paper roll 6 in OD, one ply thermal 80 mm (3.1 in) 710 ft per roll	Consult
105446	Paper roll 8 in OD, one ply thermal 80 mm (3.1 in) 1268 ft per roll	Consult
89190	TT Tag stock 4 in wide, 7.5 pt continuous 400 ft roll	Consult
34056	Transfer ribbon, 4 in wide GPR Plus black 1181 ft roll	Consult