

RL-MPS-30 Mechanical Physician Scale

Kg Only

Specifications

Capacity:

180 kg x 100 g

Platform Dimensions:

(W x L x H) 27.5 cm x 37.5 cm x 10.5 cm

Height Division:

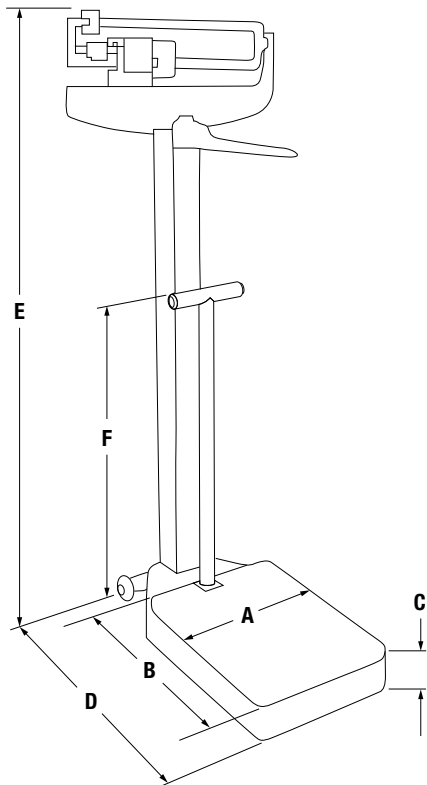
0.1 cm

Height Rod:

60-212 cm

Warranty:

Two-year limited warranty



Dimensions

	Inches	Centimeters
A	10.75	27.3
B	14.75	37.5
C	4.125	10.5
D	22.25	56.5
E	58.5	148.6
F	31.5	80.0

Standard Features

- Sturdy, enameled steel body
- Painted beam
- Rugged scale understructure
- Handpost
- Durable wheels for easy transport
- Easy operation with two sliding weights
- Removable slip-resistant scale base cover
- Aluminum height rod measures from 60 to 212 cm

Part Number/Price

Part #	Model	Capacity	Price
132703	RL-MPS-30	180 kg x 100 g	Consult

Shipping Weight

Part #	Model #	L (in)	W (in)	H (in)	Package Wgt. (lb)	Dim Wgt. (lb)	Shipping Wgt. (lb)
132703	RL-MPS-30	60	21	7	40	64	64