

1142

Stainless Steel, Environmentally Sealed, NTEP Certified 1:5,000 Class III Single Cell, IP66



APPROVALS



Available upon request

Dimensions

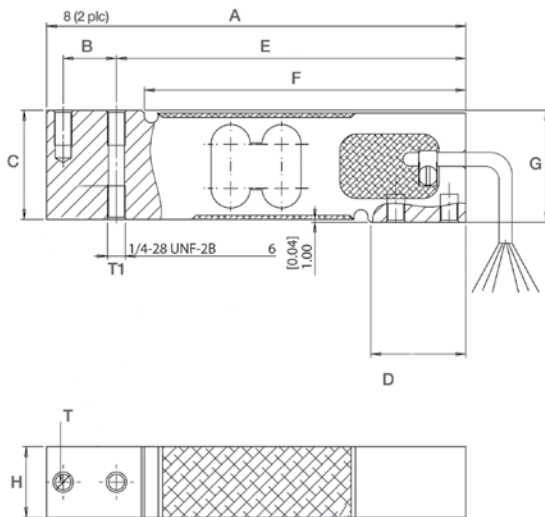
Picture is a representation of actual product

Rated Capacity	A	B	C	D	E	F	G	H	T	T1
kg/mm										
10-150	150.0	19.05	39.0	34.0	125.0	115.0	40.0	25.4	1/4-20 UNC	1/4-28 UNF
lb/in										
22.1-330.7	5.91	0.75	1.54	1.34	4.92	4.53	1.57	1.00	1/4-20 UNC	1/4-28 UNF

Order Information

Load Rating		Part#	Est. Weight	Price
10 kg	22.1 lb	156361	3 lb	Consult
15 kg	33.1 lb	156362	3 lb	Consult
20 kg	44.1 lb	156363	3 lb	Consult
30 kg	66.1 lb	156364	3 lb	Consult
50 kg	110.2 lb	156365	3 lb	Consult
75 kg	165.4 lb	156366	3 lb	Consult
100 kg	220.5 lb	156367	3 lb	Consult
150 kg	330.7 lb	157809	3 lb	Consult

Metric threads available as an option



Interchangeable Products

RICE LAKE WEIGHING SYSTEMS

RLPWM15 page 178

HBM*

PW15 page 266

*Color code is different

Specifications

Full Scale Output:

2.0 mV/V

Output Resistance:

351 (± 5.0) ohm

Input Resistance:

385 (± 10) ohm

Material/Finish:

Stainless steel

Temperature:

Compensated range
14°F to 104°F (-10°C to 40°C)
Operating range
0°F to 150°F (-18°C to 65°C)

Seal Type:

Environmentally sealed, IP66

Safe Overload:

150% full scale

Rated Excitation:

5- 10 VDC nominal (15 V maximum)

Combined Error:

0.02% full scale

Deflection at Capacity:

≤ 0.015 in (0.9 mm)

Insulation Resistance:

2,000 megohms

Cable Length:

10 ft (3.1 m)

Cable Diameter:

0.200 PVC Jacket

Platform Size:

16 in x 16 in

Cable Color Code:

Green +Excitation
Black -Excitation
Red +Signal
White -Signal
Blue +Sense
Brown -Sense

Warranty:

One-year limited warranty

Approvals:

cFMus
NTEP
OIML (Available upon request)