

1510

Stainless Steel, Welded Seal, NTEP Certified 1:5,000, OIML C3, IP68



APPROVALS



Specifications

- Full Scale Output:**
2.0 mV/V
- Output Resistance:**
350 (± 3) ohm
- Input Resistance:**
380 (± 10) ohm
- Material/Finish:**
Stainless steel
- Temperature:**
Compensated range
14°F to 104°F (-10°C to 40°C)
Operating range
0°F to 150°F (-18°C to 65°C)
- Seal Type:**
Welded-seal, IP68
- Safe Overload:**
150% at center loading point, full scale
- Rated Excitation:**
5-10 VDC (15 V maximum)
- Combined Error:**
0.020% full scale
- Insulation Resistance:**
2,000 megohms
- Cable Length:**
10 ft (3.1 m)
- Cable Diameter:**
0.220 polyurethane jacket
- Cable Color Code:**
Green +Excitation
Black -Excitation
Red +Signal
White -Signal
Blue +Sense
Brown -Sense
- Platform Size:**
23.62 in x 23.62 in
- Warranty:**
One-year limited warranty
- Approvals:**
cFMus
OIML
NTEP

Dimensions

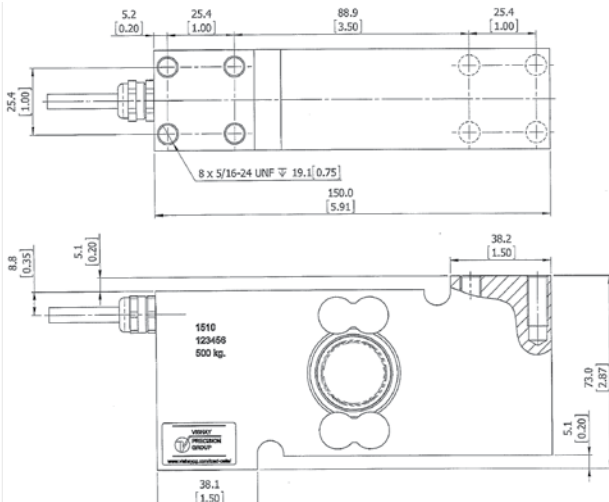
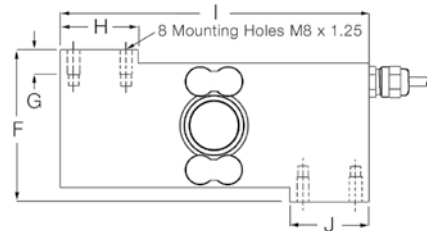
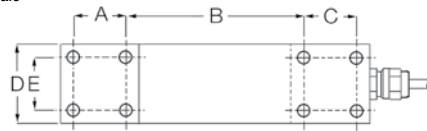
Picture is a representation of actual product

Rated Capacity	A	B	C	D	E	F	G	H	I	J
kg/mm										
100-500	25.4	86.3	25.4	38.1	25.4	72.8	11.9	38.1	149.9	38.1
lb/in										
220.5-1,102.3	1.00	3.40	1.00	1.50	1.00	2.87	0.47	1.50	5.90	1.50

Order Information

Load Rating	Part #	Est. Weight	Price
OIML			
100 kg		220.5 lb	65851
250 kg		551.2 lb	65852
500 kg		1,102.3 lb	65853
NTEP Certified			
500 kg*		1,102.3 lb	167585

*Used in Rice Lake monorail scale



Tedea 1510 PN 167585 to be used with Rice Lake Monorail Scale