

# 3510-OIML

Stainless Steel, Welded Seal, OIML C3, IP68



## APPROVALS



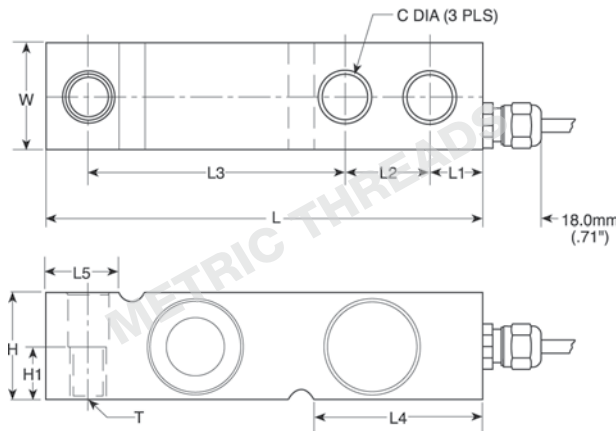
Available upon request  
Picture is a representation of actual product

## Dimensions

Rated Capacity	C	C1	H	H1	L	L1	L2	L3	L4	L5	T	W
kg/mm												
500-2,000	13.5	13.5	32.0	16.0	130.0	15.8	25.4	76.2	50.5	23.5	M12 x 1.75 Thrd.	32.0
5,000	20.5	20.5	48.0	—	171.5	19.0	38.1	95.3	70.0	37.0	—	36.5
lb/in												
1,102.3-4,409.2	0.53	0.53	1.26	0.63	5.12	0.62	1.0	3.0	1.99	0.93	M12 x 1.75 Thrd.	1.26
11,023.1	0.80	0.80	1.89	—	6.75	0.75	1.50	3.75	2.76	1.46	—	1.44

## Order Information

Load Rating	Part #	Est. Weight	Price
500 kg	30161	3 lb	Consult
1,000 kg	30162	3 lb	Consult
2,000 kg	30163	3 lb	Consult
5,000 kg	30164	5 lb	Consult



## Interchangeable Products

RICE LAKE WEIGHING SYSTEMS  
**RLHTO** ..... page 145

## Weigh Module Available

RICE LAKE WEIGHING SYSTEMS  
**RL1700 HE** ..... page 36

## Specifications

**Full Scale Output:**  
2.0 mV/V

**Output Resistance:**  
350 (± 3) ohm

**Input Resistance:**  
380 (± 10) ohm

**Material/Finish:**  
Stainless steel

**Temperature:**  
Operating range  
0°F to 150°F (-18°C to 65°C)

**Seal Type:**  
Welded-seal, IP68

**Safe Overload:**  
150% full scale

**Safe Sideload:**  
100% full scale

**Rated Excitation:**  
5-10 VDC (15 V maximum)

**Combined Error:**  
0.02% full scale

**Insulation Resistance:**  
2,000 megohms

**Deflection at Capacity:**  
500 kg-5,000 kg=0.015 in (0.4 mm)

**Cable Length:**  
5 m (16.4 ft)

**Cable Diameter:**  
0.220 polyurethane jacket

**Cable Color Code:**  
Blue +Excitation  
Black -Excitation  
White +Signal  
Red -Signal  
Green +Sense  
Gray -Sense

**Warranty:**  
One-year limited warranty

**Approvals:**  
cFMus  
OIML  
Ex (Available upon request)