

DSR

Alloy Steel, Environmentally Sealed, IP67



APPROVALS



Dimensions

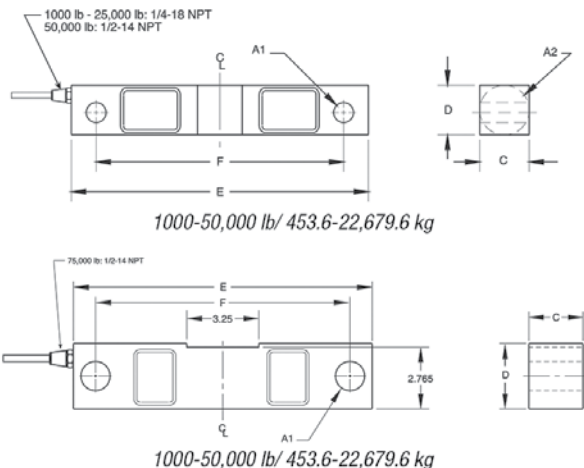
Picture is a representation of actual product

Rated Capacity	A1	A2	C	D	E	F
lb/in						
1,000-5,000	0.50	1.25	1.25	1.25	7.50	6.25
10,000-25,000	0.81	1.99	1.44	1.94	8.75	7.50
50,000	1.31	3.00	2.44	2.94	13.50	11.50
75,000	1.31	—	2.44	2.94	13.50	11.50
kg/mm						
453.6-2,268.0	12.7	31.8	31.8	31.8	190.5	158.8
4,535.9-11,339.8	20.6	50.8	36.6	49.3	222.3	190.5
22,679.7	33.3	76.2	62.00	74.7	342.9	292.1
34,019.5	33.3	—	62.00	74.7	342.9	292.1

Order Information

Load Rating		Part#	Est. Weight	Price
1,000 lb	453.6 kg	30080	4 lb	Consult
1,500 lb	680.4 kg	30081	4 lb	Consult
2,000 lb	907.2 kg	30088	4 lb	Consult
2,500 lb	1,134.0 kg	30089	4 lb	Consult
3,000 lb	1,360.8 kg	30091	4 lb	Consult
5,000 lb	2,268.0 kg	30094	4 lb	Consult
10,000 lb	4,535.9 kg	30095	7 lb	Consult
15,000 lb	6,803.9 kg	30096	7 lb	Consult
20,000 lb	9,071.9 kg	30097	7 lb	Consult
25,000 lb	11,339.8 kg	30098	7 lb	Consult
50,000 lb	22,679.6 kg	30099	25 lb	Consult
75,000 lb*	34,019.5 kg	30100	25 lb	Consult

*75,000 lb capacity has a square center



Interchangeable Products

- RICE LAKE WEIGHING SYSTEMS
RL75016..... page 159
- RICE LAKE WEIGHING SYSTEMS
RL75016WHE..... page 163
- VPG SENSORTRONICS®
65016..... page 330
- VPG REVERE®
5203..... —

Weigh Module Available

- RICE LAKE WEIGHING SYSTEMS
RL1600 Series page 92 and page 94

Specifications

- Full Scale Output:**
3.0 mV/V
- Output Resistance:**
700 (± 5) ohm
- Input Resistance:**
770 (± 10) ohm
- Material/Finish:**
High-alloy steel, nickel plated
- Temperature:**
Operating range
0°F to 150°F (-18°C to 65°C)
- Seal Type:**
Environmentally sealed, IP67
- Safe Overload:**
150% full scale
- Safe Sideload:**
100% full scale
- Rated Excitation:**
5-10 VDC (15 V maximum)
- Nonlinearity:**
0.03% full scale
- Hysteresis:**
0.02% full scale
- Insulation Resistance:**
5,000 megohms

- Deflection at Capacity:**
1,000 lb-3,000 lb=0.01 in (0.3 mm)
5,000 lb=0.015 in (0.4 mm)
10,000 lb-20,000 lb=0.022 in (0.6 mm)
25,000 lb=0.036 in (0.9 mm)
50,000 lb=0.052 in (1.3 mm)
75,000 lb=0.07 in (1.8 mm)

- Cable Length:**
25 ft (7.6 m)
- Cable Diameter:**
0.200 polyurethane jacket (1,000 lb-25,000 lb)
0.305 polyurethane jacket (50,000 lb-75,000 lb)

- Cable Color Code:**
Red +Excitation
Black -Excitation
Green +Signal
White -Signal

- Warranty:**
One-year limited warranty

- Approvals:**
cFMus