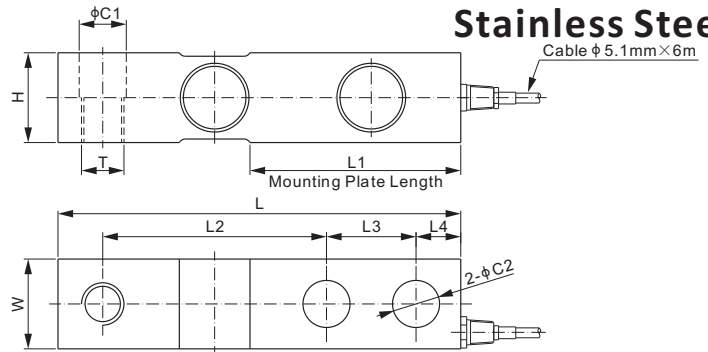


Stainless Steel



SINGLE ENDED BEAMS



RATED CAPACITY	DIMENSIONS										
	C1	C2	H	L	L1	L2	L3	L4	W	T	
lb/inches											
500-4,000; SE5,000	0.53	0.53	1.22	5.12	2.25	3.00	1.00	0.62	1.22	1/2-20 UNF-2B	
5,000-10,000	0.79	0.79	1.50	6.75	3.00	3.75	1.50	0.75	1.50	3/4-16 UNF-2B	
15,000-20,000	1.03	1.03	2.00	8.75	4.00	4.75	2.00	1.00	2.00	1-14 UNS-2B	
kg/mm											
250-2,000	13.5	13.5	31.0	130.0	57.2	76.2	25.4	15.8	31.0	M12X1.75	
3,000;5,000	20.0	20.0	38.1	171.5	76.2	95.3	38.1	19.1	38.1	M18X1.50	
10,000	26.2	26.2	50.8	222.3	101.6	120.7	50.8	25.4	50.8	M24X2.00	

SPECIFICATIONS		
Full Scale Output	563YS: 2.0 ± 0.25% mV/V 563YS30: 3.0 ± 0.25% mV/V	Recommended Excitation 10V (15V Maximum)
Zero Balance	± 0.02 mV/V	Insulation Resistance >2 [50V DC] GΩ
Non-linearity	< ± 0.023%	Compensated Temperature Range -10°C to 50°C / 14°F to 122°F
Repeatability	< ± 0.023%	Safe Overload 150% of full scale
Hysteresis Error	< ± 0.023%	Breaking Overload 300% of full scale
Creep in 30 min.	< ± 0.030%	Seal Type / IP Rating Welded Seal / IP68
Input Resistance	350 Ω ± 7	Cable Color Code
Output Resistance	350 Ω ± 3	Exc+ Red Exc- Black Sig+ Green Sig- White Shield Bare
Element Material	17-4PH Stainless Steel	

PART NUMBER		
Rated Capacity	Part No.	Shipping Weight (kg) Approx.
500lb	563YS-500lb	1.0
	563YS30GS-500lb	1.0
1Klb	563YS-1Klb	1.0
	563YS30-1Klb	1.0
2.5Klb	563YS-2.5Klb	1.0
	563YS30-2.5Klb	1.0
4Klb	563YS-4Klb	1.0
	563YS30-4Klb	1.0
SE5Klb	563YS-SE5Klb	1.0
	563YS30-SE5Klb	1.0
5Klb	563YS-5Klb	1.8
	563YS30-5Klb	1.8
10Klb	563YS-10Klb	1.8
	563YS30-10Klb	1.8
15Klb	563YS-15Klb	4.1
	563YS30-15Klb	4.1
20Klb	563YS-20Klb	4.1
	563YS30-20Klb	4.1
250kg	563YS-250kg	1.0
500kg	563YS-500kg	1.0
1t	563YS-1t	1.0
2t	563YS-2t	1.0
3t	563YS-3t	1.8
5t	563YS-5t	1.8
10t	563YS-10t	4.1

- Environmentally sealed for 563YS30, capacity=500lb
- SE refers to small envelope

WEIGH MODULE	
Model	Page
563YSM3	123

INTERCHANGEABLE PRODUCTS	
Manufacturer	Model
563YS	
Cardinal	TB
Coti Global	CG-23-SSW-02
Rice Lake	RL35082
Rice Lake	RLHTO
Vishay Sensortronics	65083S
Vishay Tedeo-Huntleigh	3510-kg
563YS30	
Coti Global	CG-23-SSW-03
HBM	B35*
HBM	H35**
Mettler-Toledo	0793
Rice Lake	RL35023S*
Rice Lake	RL35083
Rice Lake	RL39123
Vishay Celtron	SQB-HSS
Vishay Revere Transducers	9123
Vishay Sensortronics	65023S*
Vishay Sensortronics	65023SS***
Vishay Sensortronics	65083
Vishay Tedeo-Huntleigh	3510-lbs

* Environmentally sealed
** Welded seal
*** Environmentally sealed for capacities 1Klb-10Klb

1Klb-10Klb: NTEP 1:5 000 Class III, Multiple Cell
 563YS, capacity from 3t to 10t & 10K to 20Klb: OIML MAA C6, Y=85 000
563YS30, capacity from 1Klb to 5Klb: OIML MAA C4, Y=15 000