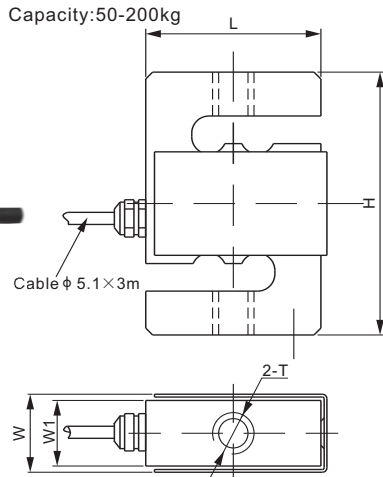
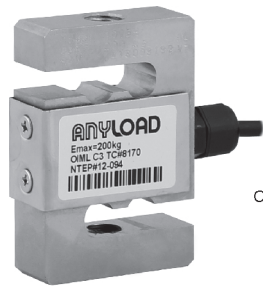


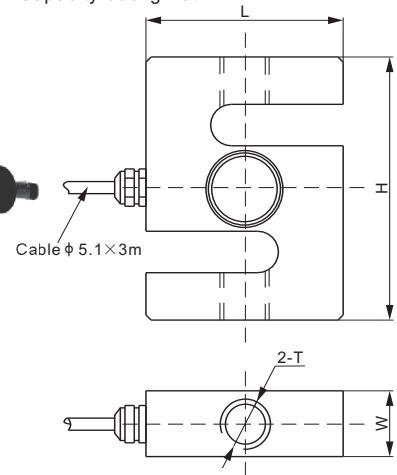
101BH



Alloy Steel



Capacity:300kg-10t



DIMENSIONS

RATED CAPACITY	H	L	W	W1	T
kg/mm					
50-200	76.2	50.8	22.6	19.0	M12X1.75
300-1,500; SE2,000	76.2	50.8	28.2	-	M12X1.75
2,000-5,000	108.0	76.2	25.4	-	M18X1.50
10,000	177.8	125.0	50.8	-	M30X2.00
lb/inches (conversion of above dimensions)					
110.23-440.92	3.00	2.00	0.89	0.75	M12X1.75
661.39-3,306.9; SE4,409.2	3.00	2.00	1.11	-	M12X1.75
4,409.2-11,023.1	4.25	3.00	1.00	-	M18X1.50
22,046.2	7.00	4.92	2.00	-	M30X2.00

SPECIFICATIONS

Full Scale Output	2.0 mV/V ± 1%	Recommended Excitation	10V (15V Maximum)
Zero Balance	± 0.02 mV/V	Insulation Resistance	>2 [50V DC] GΩ
Non-linearity	< ± 0.017%	Compensated Temperature Range	-10°C to 50°C / 14°F to 122°F
Repeatability	< ± 0.017%	Safe Overload	150% of full scale
Hysteresis Error	< ± 0.017%	Breaking Overload	300% of full scale
Creep in 30 min.	< ± 0.023%	Seal Type / IP Rating	Cap. ≤ 200kg: Environmentally Sealed / IP66 Cap. ≥ 300kg: Environmentally Sealed / IP67
Input Resistance	400Ω ± 25	Cable Color Code	Exc+ Red Exc- Black Sig+ Green Sig- White Shield Bare
Output Resistance	350Ω ± 3		
Element Material	Alloy Steel, Nickel Plated		

PART NUMBER

Rated Capacity	Part No.	Weight (kg) Approx.
50kg	101BH-50kg	0.6
100kg	101BH-100kg	0.6
200kg	101BH-200kg	0.6
300kg	101BH-300kg	0.8
500kg	101BH-500kg	0.8
1t	101BH-1t	0.8
SE2t	101BH-SE2t	0.8
2t	101BH-2t	1.5
3t	101BH-3t	1.5
5t	101BH-5t	1.5
10t	101BH-10t	7.4

SE refers to small envelope

WEIGH MODULE

Model	Page
101BHM2	124

INTERCHANGEABLE PRODUCTS

Manufacturer	Model
Vishay TedeA-Huntleigh	615

- 100lb-500lb: NTEP 1:4 500 Class III, Single Cell;
- 1Klb-20Klb: NTEP 1:5 500 Class III, Single Cell
- 200kg-1.5t: OIML MAA C3, Y=17 000;
- 2t-10t: OIML MAA C4.5, Y=14 000