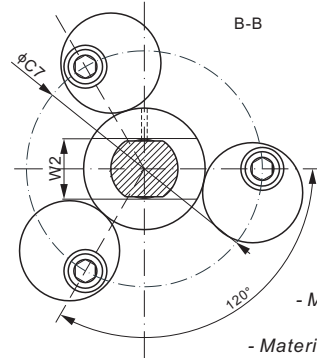
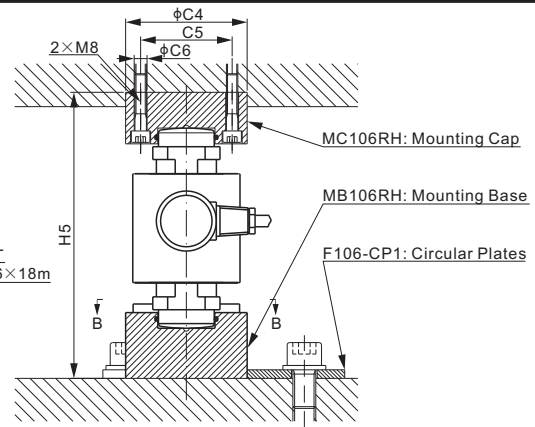
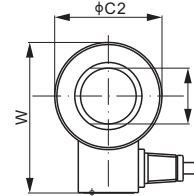
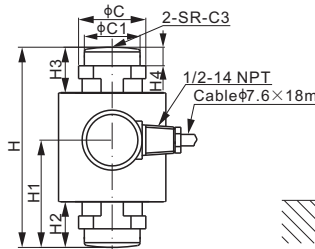


106RS

Stainless Steel



- Material of both MC106RH & MB106RH is alloy steel
- Material of F106-CP1 is mild steel



Mounting hardware to be ordered separately.

DIMENSIONS

RATED CAPACITY	C	C1	C2	C3	C4	C5	C6	C7	H	H1	H2	H3	H4	H5	W	W1	W2
t/mm																	
30	45.8	39.0	75.0	120.0	85.0	64.0	9.0	165.0	140.0	75.0	32.0	32.0	13.0	200.0	105.3	39.0	42.4
40	45.8	39.0	75.0	180.0	85.0	64.0	9.0	165.0	150.0	80.0	37.0	37.0	13.0	200.0	106.0	39.0	42.4
50	56.5	44.0	99.0	280.0	90.0	70.0	9.0	170.0	178.0	94.0	34.0	34.0	17.0	240.0	129.0	44.0	47.5
lb/inches (conversion of above dimensions)																	
66,138.7	1.80	1.54	2.99	4.72	3.35	2.52	0.35	6.50	5.51	2.95	1.26	1.26	0.51	7.87	4.15	1.54	1.67
88,184.9	1.80	1.54	2.99	7.09	3.35	2.52	0.35	6.50	5.91	3.15	1.46	1.46	0.51	7.87	4.17	1.54	1.67
110,231.1	2.22	1.73	3.90	11.02	3.55	2.76	0.35	7.70	7.01	3.70	1.34	1.34	0.67	9.46	5.08	1.73	1.87

SPECIFICATIONS

Full Scale Output	2.0 mV/V ± 0.1%	Recommended Excitation	10V (15V Maximum)
Zero Balance	± 0.02 mV/V	Insulation Resistance	>2 [50V DC] GΩ
Non-linearity	< ± 0.023%	Compensated Temperature Range	-10°C to 50°C / 14°F to 122°F
Repeatability	< ± 0.017%	Safe Overload	150% of full scale
Hysteresis Error	< ± 0.020%	Breaking Overload	300% of full scale
Creep in 30 min.	< ± 0.020%	Seal Type / IP Rating	Welded Seal / IP68
Input Resistance	1150Ω ± 50	Cable Color Code	Exc+ Red Exc- Black Sig+ Green Sig- White Shield Bare
Output Resistance	1000Ω ± 2		
Element Material	2Cr13 Stainless Steel		

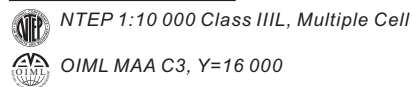
PART NUMBER

Load Cell	Part No.	Weight (kg) Approx.
Rated Capacity		
30t.....	106RS-30t-YZ.....	4.2
40t.....	106RS-40t-YZ.....	3.9
50t.....	106RS-50t-YZ.....	5.2

Mounting Hardware	Load Cell Capacity	Part No.	Weight (kg) Approx.
Mounting Cap.....	(30-40)t.....	MC106RH-(30-40)t.....	1.4
	50t.....	MC106RH-50t.....	2.0
Circular Plates.....	(30-50)t.....	F106-CP1.....	1.2
Mounting Base	30t.....	MB106RH-30t.....	2.1
	40t.....	MB106RH-40t.....	1.6
	50t.....	MB106RH-50t.....	2.2

INTERCHANGEABLE PRODUCTS

Manufacturer	Model
Coti Global.....	CG-26S6
FAIRBANKS.....	LCF HR4020-2A(30t), part number 70510
FLINTEC.....	RC3



CANISTERS & DISKS