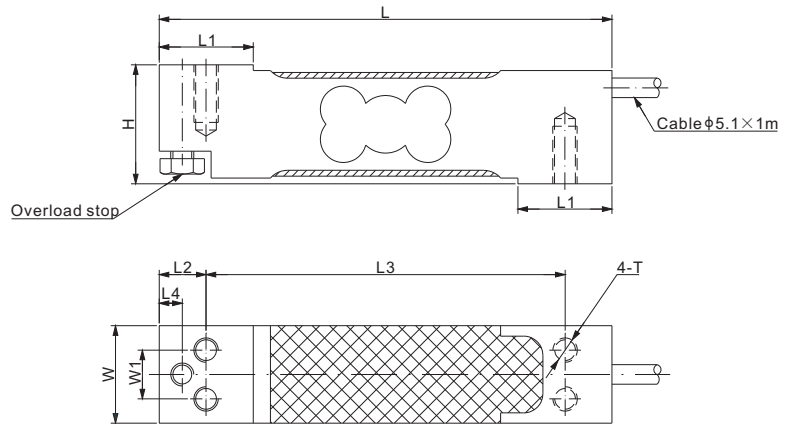


108BATD



Aluminum



DIMENSIONS

RATED CAPACITY	H	L	L1	L2	L3	L4	W	W1	T
kg/mm									
3-100	31.0	118.0	24.5	12.2	93.6	6.0	25.4	12.7	1/4-20 UNC Depth 15
lb/inches (conversion of above dimensions)									
6.61-220.46	1.22	4.65	0.96	0.48	3.69	0.24	1.00	0.50	1/4-20 UNC Depth 0.59

SPECIFICATIONS

Full Scale Output	2.0 mV/V ± 10%	Recommended Excitation	10V (15V Maximum)
Zero Balance	± 0.02 mV/V	Reference Max. Platform Size	350 × 350 mm
Non-linearity	< ± 0.017%	Insulation Resistance	> 2 [50V DC] GΩ
Repeatability	< ± 0.017%	Nominal Temperature Range	-10°C to 40°C / 14°F to 104°F
Hysteresis Error	< ± 0.017%	Safe Overload	150% of full scale
Creep in 30 min.	< ± 0.023%	Breaking Overload	300% of full scale
Input Resistance	415Ω ± 15	Seal Type / IP Rating	Environmentally Sealed / IP66
Output Resistance	350Ω ± 3	Cable Color Code	Exc+ Red Exc- Black Sig+ Green Sig- White Shield Bare
Element Material	Aluminum		

PART NUMBER

Rated Capacity	Part No.	Weight (kg) Approx.
3kg	108BATD-3kg	0.3
5kg	108BATD-5kg	0.3
7kg	108BATD-7kg	0.3
10kg	108BATD-10kg	0.3
15kg	108BATD-15kg	0.3
20kg	108BATD-20kg	0.3
30kg	108BATD-30kg	0.3
50kg	108BATD-50kg	0.3
100kg	108BATD-100kg	0.3

INTERCHANGEABLE PRODUCTS

Manufacturer	Model
Vishay TedeA-Huntleigh	1030



NTEP 1:5 000 Class III, Single Cell



5kg-30kg: OIML MAA C4, Y=15 000;
50kg-100kg: OIML MAA C5, Y=12 300