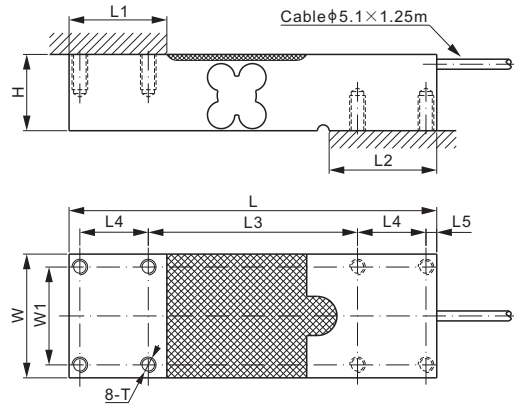
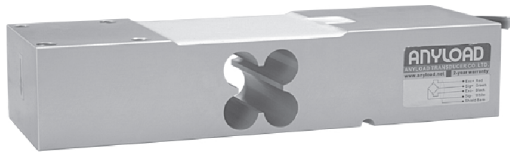


# 108HAUN



## Aluminum



### DIMENSIONS

| RATED CAPACITY                                    | H    | L   | L1   | L2   | L3   | L4   | L5   | W    | W1   | T                     |
|---|------|-----|------|------|------|------|------|------|------|-----------------------|
| <b>kg/mm</b>                                      |      |     |      |      |      |      |      |      |      |                       |
| 50-635  | 38.0 | 188 | 50.0 | 55.0 | 107  | 35.0 | 5.50 | 63.3 | 50.0 | 5/16-18 UNC Depth18   |
| <b>lb/inches</b> (conversion of above dimensions) |      |     |      |      |      |      |      |      |      |                       |
| 110.23-1399.94                                    | 1.50 | 7.4 | 1.97 | 2.17 | 4.21 | 1.38 | 0.22 | 2.49 | 1.97 | 5/16-18 UNC Depth0.71 |

### SPECIFICATIONS

|                          |                       |                                     |   |
|--------------------------|-----------------------|-------------------------------------|---|
| <b>Full Scale Output</b> | 2.0 mV/V $\pm$ 0.25%  | <b>Recommended Excitation</b>       | 10V (15V Maximum)   |
| <b>Zero Balance</b>      | $\pm$ 0.02 mV/V       | <b>Reference Max. Platform Size</b> | 550 $\times$ 600 mm   |
| <b>Non-linearity</b>     | $<$ $\pm$ 0.017%      | <b>Insulation Resistance</b>        | $>$ 2 [ 50V DC ] G $\Omega$   |
| <b>Repeatability</b>     | $<$ $\pm$ 0.017%      | <b>Nominal Temperature Range</b>    | -10°C to 40°C / 14°F to 104°F                                       |
| <b>Hysteresis Error</b>  | $<$ $\pm$ 0.017%      | <b>Safe Overload</b>                | 150% of full scale  |
| <b>Creep in 30 min.</b>  | $<$ $\pm$ 0.023%      | <b>Breaking Overload</b>            | 300% of full scale  |
| <b>Input Resistance</b>  | 415 $\Omega$ $\pm$ 15 | <b>Seal Type / IP Rating</b>        | Environmentally Sealed / IP66                                       |
| <b>Output Resistance</b> | 350 $\Omega$ $\pm$ 3  | <b>Cable Color Code</b>             | Exc+ Red      Exc- Black<br>Sig+ Green    Sig- White    Shield Bare |
| <b>Element Material</b>  | Aluminum              |                                     |   |

### PART NUMBER

| Rated Capacity | Part No.      | Weight (kg) Approx. |
|----------------|---------------|---------------------|
| 50kg           | 108HAUN-50kg  | 1.3                 |
| 100kg          | 108HAUN-100kg | 1.3                 |
| 250kg          | 108HAUN-250kg | 1.3                 |
| 635kg          | 108HAUN-635kg | 1.3                 |

50kg-250kg: NTEP 1:5 000 Class III, Single Cell;  
635kg: NTEP 1:4 000 Class III, Single Cell

50kg-250kg: OIML MAA C5, Y=12 300;  
635kg: OIML MAA C4, Y=4 000