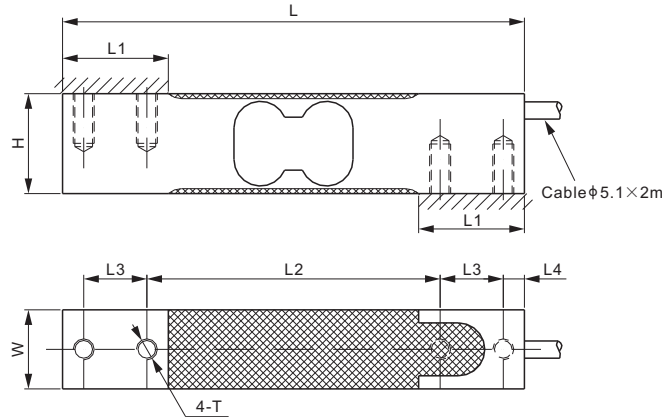
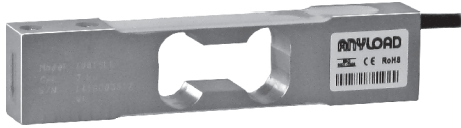


108TSLL



Stainless Steel



CE RoHS

DIMENSIONS

RATED CAPACITY	H	L	L1	L2	L3	L4	W	T
kg/mm								
7-15	30.2	139.7	32.0	88.7	19.1	6.4	19.1	1/4-20UNC-2B Depth15
30-60	30.2	139.7	32.0	88.7	19.1	6.4	23.9	1/4-20UNC-2B Depth15
lb/inches (conversion of above dimensions)								
15.4-33.1	1.19	5.50	1.26	3.49	0.75	0.25	0.75	1/4-20UNC-2B Depth0.6
66.1-132.3	1.19	5.50	1.26	3.49	0.75	0.25	0.94	1/4-20UNC-2B Depth0.6

SPECIFICATIONS

Full Scale Output	2.0 mV/V \pm 10%	Recommended Excitation	10V (15V Maximum)
Zero Balance	\pm 0.02 mV/V	Reference Max. Platform Size	400x400 mm
Non-linearity	$< \pm$ 0.017%	Insulation Resistance	$>$ 2 [50V DC] G Ω
Repeatability	$< \pm$ 0.017%	Compensated Temperature Range	-10°C to 50°C / 14°F to 122°F
Hysteresis Error	$< \pm$ 0.017%	Safe Overload	150% of full scale
Creep in 30 min.	$< \pm$ 0.023%	Breaking Overload	300% of full scale
Input Resistance	385 Ω \pm 15	Seal Type / IP Rating	Environmentally Sealed / IP66
Output Resistance	350 Ω \pm 3	Cable Color Code	Exc+ Red Exc- Black Sig+ Green Sig- White Shield Bare
Element Material	2Cr13 Stainless Steel		

PART NUMBER

Rated Capacity	Part No.	Weight (kg) Approx.
7kg.....	108TSLL-7kg-YZ.....	0.7
10kg.....	108TSLL-10kg-YZ.....	0.7
15kg.....	108TSLL-15kg-YZ.....	0.7
30kg.....	108TSLL-30kg-YZ.....	0.7
60kg.....	108TSLL-60kg-YZ.....	0.7

INTERCHANGEABLE PRODUCTS

Manufacturer	Model
Coti Global.....	CG-PWS
HBM.....	PWS
Rice Lake.....	RL1380

SINGLE POINTS