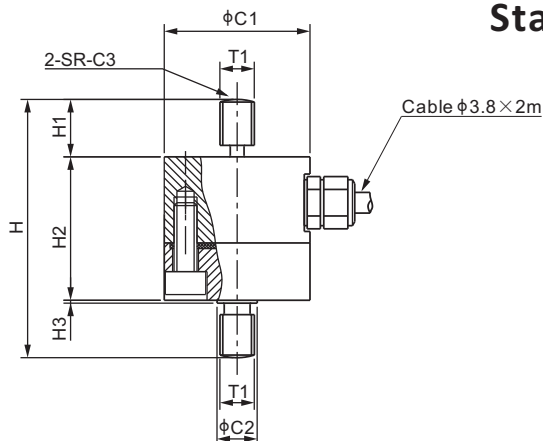




CE RoHS



### DIMENSIONS

RATED CAPACITY	C1	C2	C3	H	H1	H2	H3	T1
<b>kg/mm</b>								
30-100	25.4	7.0	10	45.0	10.0	25.0	0.5	M6
<b>lb/inches</b> (conversion of above dimensions)								
66.1-220.5	1.00	0.28	0.39	1.77	0.39	0.98	0.02	M6

### SPECIFICATIONS

<b>Full Scale Output</b>	1.0 mV/V $\pm$ 20%	<b>Recommended Excitation</b>	10V (15V Maximum)
<b>Zero Balance</b>	$\pm$ 0.03 mV/V	<b>Insulation Resistance</b>	>2 [ 50V DC ] G $\Omega$
<b>Non-linearity</b>	< $\pm$ 0.3%	<b>Compensated Temperature Range</b>	-10°C to 50°C / 14°F to 122°F
<b>Repeatability</b>	< $\pm$ 0.1%	<b>Safe Overload</b>	150% of full scale
<b>Hysteresis Error</b>	< $\pm$ 0.1%	<b>Breaking Overload</b>	300% of full scale
<b>Creep in 30 min.</b>	< $\pm$ 0.1%	<b>Seal Type / IP Rating</b>	Environmentally Sealed / IP66
<b>Input Resistance</b>	400 $\Omega$ $\pm$ 20	<b>Cable Color Code</b>	Exc+ Red      Exc- Black
<b>Output Resistance</b>	350 $\Omega$ $\pm$ 3		Sig+ Green    Sig- White
<b>Element Material</b>	17-4PH Stainless Steel		Shield Bare

### PART NUMBER

Rated Capacity	Part No.	Weight (kg) Approx.
30kg.....	247BS-30kg.....	0.13
50kg.....	247BS-50kg.....	0.13
100kg.....	247BS-100kg.....	0.13