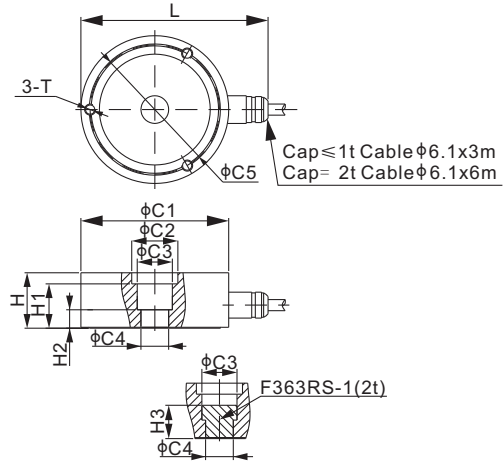


Stainless Steel



CE RoHS

Mounting cap included.

DIMENSIONS

RATED CAPACITY	C1	C2	C3	C4	C5	H	H1	H2	H3	L	T
kg/mm											
500-1,000	80.0	25.0	19.0	M10	70.0	25.0	24.0	10.0	-	100.0	M6 Depth8
2,000	80.0	25.0	19.0	15.0	70.0	30.0	24.0	10.0	18.0	100.0	M6 Depth8
lb/inches (conversion of above dimensions)											
1102.3-2,204.6	3.15	0.98	0.75	M10	2.76	0.98	0.95	0.39	-	3.94	M6 Depth0.32
4,409.2	3.15	0.98	0.75	0.59	2.76	1.18	0.95	0.39	0.71	3.94	M6 Depth0.32

SPECIFICATIONS

Full Scale Output	2.0 mV/V ± 0.1%	Recommended Excitation	10V (15V Maximum)
Zero Balance	± 0.05 mV/V	Insulation Resistance	>2 [50V DC] GΩ
Non-linearity	< ± 0.023%	Compensated Temperature Range	-10°C to 50°C / 14°F to 122°F
Repeatability	< ± 0.023%	Safe Overload	150% of full scale
Hysteresis Error	< ± 0.023%	Breaking Overload	300% of full scale
Creep in 30 min.	< ± 0.030%	Seal Type / IP Rating	Welded Seal / IP68
Input Resistance	1500Ω ± 50	Cable Color Code	Exc+ Red Exc- Black
Output Resistance	1400Ω ± 10		Sig+ Green Sig- White
Element Material	17-4PH Stainless Steel		Shield Bare

PART NUMBER

Rated Capacity	Part No.	Shipping Weight (kg) Approx.
500kg	363RS-500kg	1.0
1t	363RS-1t	1.0
2t	363RS-2t	1.3

WEIGH MODULE

Model	Page
363RSM1	137

INTERCHANGEABLE PRODUCTS

Manufacturer	Model
Mettler-Toledo	RLC
Vishay Revere Transducers	RLC