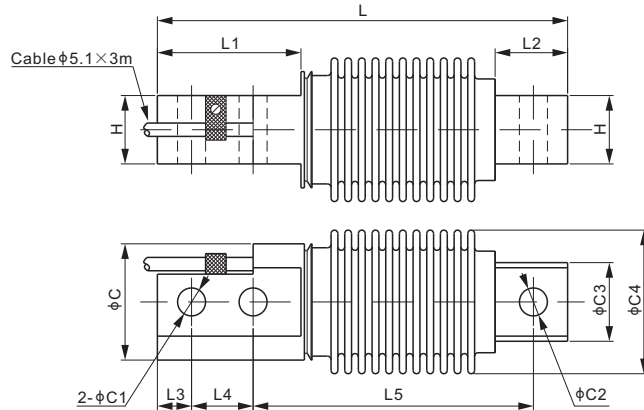


563RS



Stainless Steel



SINGLE ENDED BEAMS



DIMENSIONS

RATED CAPACITY	C	C1	C2	C3	C4	L	L1	L2	L3	L4	L5	H
kg/mm												
5-200	34.0	8.2	8.2	23.0	42.0	120.0	42.0	21.2	10.0	18.0	82.0	20.0
350-500	34.0	8.2	10.5	23.0	42.0	120.0	42.0	21.2	10.0	18.0	82.0	20.0
lb/inches (conversion of above dimensions)												
11.02-440.92	1.34	0.32	0.32	0.91	1.65	4.72	1.65	0.83	0.39	0.71	3.23	0.79
771.62-1,102.31	1.34	0.32	0.41	0.91	1.65	4.72	1.65	0.83	0.39	0.71	3.23	0.79

SPECIFICATIONS

Full Scale Output	2.0 mV/V ± 0.25%	Element Material	17-4PH Stainless Steel
Zero Balance	Cap. ≤ 20kg: ± 0.05 mV/V	Recommended Excitation	10V (15V Maximum)
	Cap. > 20kg: ± 0.02 mV/V	Insulation Resistance	> 2 [50V DC] GΩ
Deflection at Emax	0.27 - 0.33mm	Compensated Temperature Range	-10°C to 50°C / 14°F to 122°F
Non-linearity	< ± 0.017%	Safe Overload	150% of full scale
Repeatability	< ± 0.017%	Breaking Overload	300% of full scale
Hysteresis Error	< ± 0.017%	Seal Type / IP Rating	Welded Seal / IP68
Creep in 30 min.	< ± 0.023%	Cable Color Code	Exc+ Red Exc- Black
Input Resistance	400 Ω ± 20		Sig+ Green Sig- White
Output Resistance	350 Ω ± 3		Shield Bare

PART NUMBER

Rated Capacity	Part No.	Weight (kg) Approx.
5kg	563RS-5kg	0.6
10kg	563RS-10kg	0.6
20kg	563RS-20kg	0.6
50kg	563RS-50kg	0.6
100kg	563RS-100kg	0.6
200kg	563RS-200kg	0.6
350kg	563RS-350kg	0.6
500kg	563RS-500kg	0.6

WEIGH MODULE

Model	Page
563RSM5	138

INTERCHANGEABLE PRODUCTS

Manufacturer	Model
Cardinal	CB6
Coti Global	CG-Z6
Flintec	SB8
HBM	Z6
Mettler-Toledo	MTB
Rice Lake	RLHBB
Vishay Celtron	HBB
Vishay Revere Transducers	SHB
Vishay TedeA-Huntleigh	355

- 5kg-50kg: NTEP 1:6 000 Class III, Single Cell;
NTEP 1:10 000 Class III, Multiple Cell
- 100kg-500kg: NTEP 1:4 500 Class III, Single Cell;
NTEP 1:10 000 Class III, Multiple Cell
- 10kg-50kg: OIML MAA C6, Y=30 000;
- 100kg-500kg: OIML MAA C4, Y=30 000