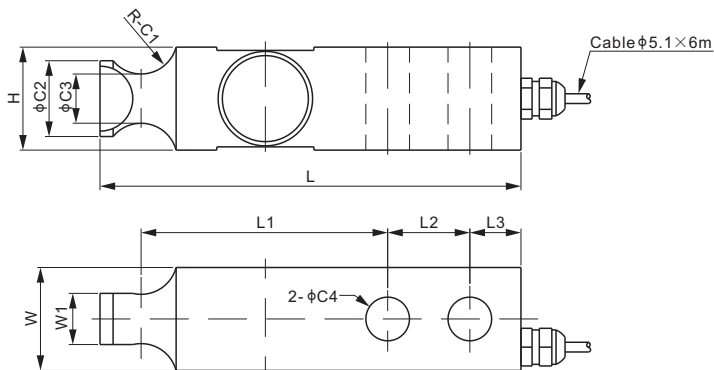


563YHRT

Alloy Steel



SINGLE ENDED BEAMS



DIMENSIONS

RATED CAPACITY	C1	C2	C3	C4	H	L	L1	L2	L3	W	W1
Klb/inches											
1-4	0.44	0.92	0.60	0.53	1.25	5.12	3.00	1.00	0.62	1.25	0.62
5-10	0.56	1.20	0.86	0.78	1.50	6.75	3.75	1.50	0.75	1.50	0.90
kg/mm (conversion of above dimensions)											
453.6-1,814.4	11.2	23.4	15.2	13.5	31.8	130.1	76.2	25.4	15.8	31.8	15.8
2,268.0-4,535.9	14.2	30.5	21.8	19.8	38.1	171.5	95.3	38.1	19.1	38.1	22.9

SPECIFICATIONS

Full Scale Output	3.0 mV/V \pm 0.25%	Recommended Excitation	10V (15V Maximum)
Zero Balance	\pm 0.02 mV/V	Insulation Resistance	>2 [50V DC] G Ω
Non-linearity	< \pm 0.017%	Compensated Temperature Range	-10°C to 50°C / 14°F to 122°F
Repeatability	< \pm 0.017%	Safe Overload	150% of full scale
Hysteresis Error	< \pm 0.017%	Breaking Overload	300% of full scale
Creep in 30 min.	< \pm 0.023%	Seal Type / IP Rating	Environmentally Sealed / IP67
Input Resistance	350 Ω \pm 7	Cable Color Code	Exc+ Red Exc- Black
Output Resistance	350 Ω \pm 3		Sig+ Green Sig- White
Element Material	Alloy Steel, Nickel Plated		Shield Bare

PART NUMBER

Rated Capacity	Part No.	Weight (kg) Approx.
1Klb.....	563YHRT-1Klb.....	1.0
2.5Klb.....	563YHRT-2.5Klb.....	1.0
4Klb.....	563YHRT-4Klb.....	1.0
5Klb.....	563YHRT-5Klb.....	1.7
10Klb.....	563YHRT-10Klb.....	1.7

INTERCHANGEABLE PRODUCTS

Manufacturer	Model
Coti Global.....	CG-30410
Vishay Revere Transducers	5723



1Klb-2.5Klb: NTEP 1:5 000 Class III, Single Cell;
NTEP 1:9 500 Class III, Multiple Cell
4Klb-10Klb: NTEP 1:6 000 Class III, Single Cell;
NTEP 1:10 000 Class III, Multiple Cell



1Klb-5Klb: OIML MAA C4, Y=15 000;
10Klb: OIML MAA C6, Y=8 500