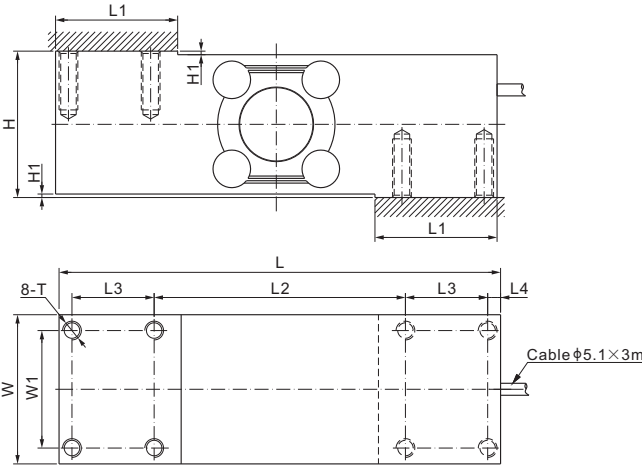


651KS55 Stainless Steel



DIMENSIONS

RATED CAPACITY	H	H1	L	L1	L2	L3	L4	W	W1	T
kg/mm										
100	62.3	1.5	188.0	52.0	107.0	35.0	5.5	63.5	50.0	M8 Depth 20
lb/inches (conversion of above dimensions)										
220.46	2.45	0.06	7.40	2.04	4.21	1.38	0.22	2.50	1.97	M8 Depth 0.79

SPECIFICATIONS

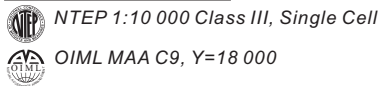
Full Scale Output	2.0 mV/V \pm 0.25%	Recommended Excitation	10V (15V Maximum)
Zero Balance	\pm 0.02 mV/V	Reference Max. Platform Size	610 \times 700 mm
Non-linearity	$<$ \pm 0.03%	Insulation Resistance	$>$ 2 [50V DC] G Ω
Repeatability	$<$ \pm 0.02%	Compensated Temperature Range	-10°C to 50°C / 14°F to 122°F
Hysteresis Error	$<$ \pm 0.03%	Safe Overload	150% of full scale
Creep in 30 min.	$<$ \pm 0.02%	Breaking Overload	300% of full scale
Input Resistance	1100 Ω \pm 50	Seal Type / IP Rating	Welded Seal / IP68
Output Resistance	960 Ω \pm 50	Cable Color Code	Exc+ Red Exc- Black Sig+ Green Sig- White Shield Bare
Element Material	17-4PH Stainless Steel		

PART NUMBER

Rated Capacity	Part No.	Weight (kg) Approx.
100kg.....	651KS55-100kg.....	4.7

AVAILABLE OPTION

■ aluminum version: 108MA



INTERCHANGEABLE PRODUCTS

Manufacturer	Model
HBM.....	PW16, metric thread version*
Mettler Toledo.....	MT1260
Vishay TedeA-Huntleigh.....	1260, metric thread version*

* HBM PW16, Mettler Toledo MT1260, and Vishay TedeA-Huntleigh 1260 are made of aluminum.

SINGLE POINTS