



Picture is a representation of actual product.

### Load Cell Approvals



### Order Information

Load Rating (Per Module)	Part #	Price
<b>NTEP Certified 3-Module Kit</b>		
5 kN	29871	Consult
10 kN	29872	Consult
23 kN	29873	Consult
50 kN	29874	Consult
<b>NTEP Certified 4-Module Kit</b>		
5 kN	29875	Consult
10 kN	29876	Consult
23 kN	29877	Consult
50 kN	29878	Consult
<b>Non-NTEP Certified 3-Module Kit</b>		
5 kN	17977	Consult
10 kN	17978	Consult
23 kN	17979	Consult
50 kN	17980	Consult
100 kN	17981	Consult
<b>Non-NTEP Certified 4-Module Kit</b>		
5 kN	17984	Consult
10 kN	17985	Consult
23 kN	17986	Consult
50 kN	17987	Consult
100 kN	17988	Consult
<b>Conduit Adapter Kit (must be factory installed to maintain warranty)</b>		
1/2-14 NPT	17703	Consult

### Complete Kit Includes

- One fixed-pin module, one side-stop module, and one or two free-sliding assemblies. Each module is complete with a Flintec SB4 NTEP Certified, stainless steel, hermetically sealed load cell.
- One JB4SS NEMA Type 4X stainless steel signal trim junction box
- 25 ft of hostile environment EL147HE SURVIVOR® load cell cable

### Standard Features

- Capacities (per module): 5 kN to 100 kN
- Unique design allows for thermal expansion/contraction
- Jacking screw allows empty vessel to be lifted clear of load cell for maintenance
- Unique blind load hole eliminates unwanted side and eccentric loads
- Vessel is free to slide laterally on PTFE-coated surfaces
- Load cell outputs are matched to  $\pm 0.07\%$  allowing replacement without further calibration

### Applications

- Light- to medium-capacity tanks and hoppers
- Mixers and blenders
- Process measurement and control

WEIGH MODULES

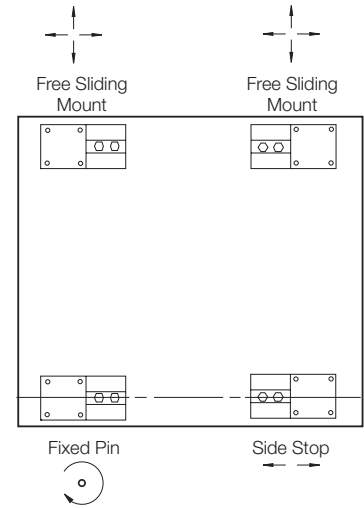
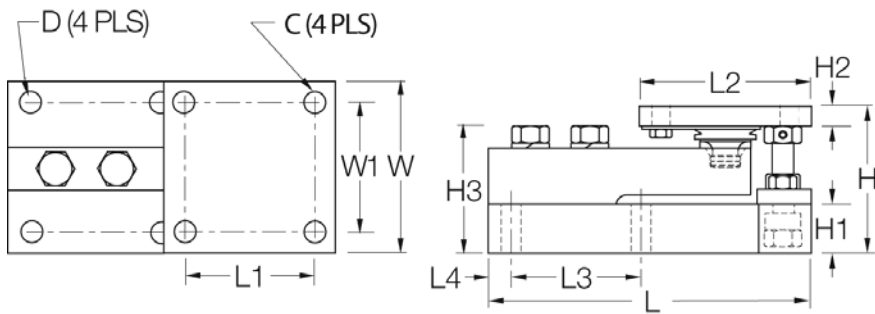
# Paramounts® HS

Hermetically Sealed, Mild Steel, Light- to Medium-capacity Tank Weighing Systems

## Dimensions

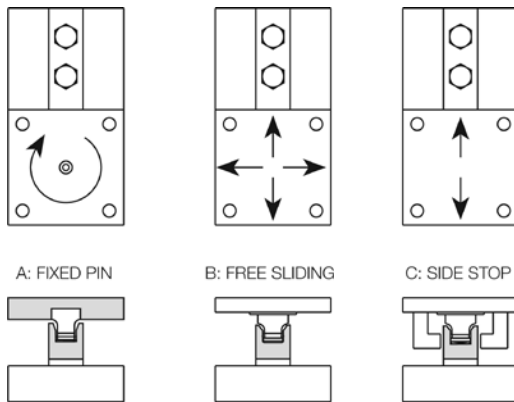
Rated Capacity	C	D	H	H1	*H2	**H2	H3	L	L1	L2	L3	L4	W	W1
5 kN to 23 kN	0.44	0.44	3.58	1.25	0.50	0.75	3.06	7.51	3.00	4.00	3.00	0.50	4.00	3.00
50 kN	0.56	0.56	4.66	1.50	0.62	1.00	4.09	9.19	3.87	5.00	3.87	0.56	5.00	3.87
100 kN	0.69	0.69	6.41	2.00	0.75	1.25	5.73	11.46	4.75	6.00	4.75	0.69	6.00	4.75

\* Side-stop and free-sliding units    \*\* Fixed-pin units



### VESSEL ARRANGEMENT

When arranged as illustrated, the vessel is fixed at one corner but is able to slide freely as indicated. This ensures there is minimal side loading on the cells and at the same time the vessel is self-checking. The unique, patented blind load hole technology used in these mounts introduces the load at the neutral axis of the load cell which helps minimize the effects of side loads.



Fixed-pin Mount

Free-sliding Mount

Side-stop Mount

WEIGH MODULES