

Ready-n-Weigh Bench Scale System

CW-90B Bench Scale and 482/482 Plus Indicator Package

BENCH SCALES



Scale and Indicator Package

Standard Features

- Package includes scale with IP67 aluminum environmentally sealed load cell with an indicator and 12-inch column
- Factory calibrated with indicator setup and configured for 5,000 divisions
- Scale includes rubber feet to provide exceptional traction and avoid scratching surfaces along with removable top cover for ease of cleaning
- AC power 100 to 240 VAC
- LCD backlit indicator display for a variety of environments
- Battery backed time and date
- Standard RS-232 serial ports for connecting to a variety of peripherals

CW-90B Specifications

Load Cell, NTEP Certified:

IP67 aluminum, environmentally sealed

Scale Construction:

304 stainless steel

Maximum Overload:

180% to 200% depending on capacity

Overload Protection:

Five-point, independently adjusted

Scale Frame:

AISI304L, straight line finish, Ra= 45 +/- 10

Scale Cover:

AISI304L, straight line finish, Ra= 45 +/- 10

Cable Length:

34 in

Compensated Temperature Range:

14 °F to 104 °F (-10 °C to 40 °C)

Approvals:

NTEP 12-123, Class III 5,000 d
Measurement Canada AM-5892C
CE
cULus

Warranty:

Two-year limited

482/482 Plus Specifications

Communication Ports:

Com 1: RS-232 full duplex
Com 2: RS-232 full duplex or 20 mA simplex, continuous
Both ports 1200, 2400, 4800, 9600, 19200, 38400 baud seven or eight data bits, even, odd or no parity

Display:

LCD backlit display, transmissive/transflective
0.8 in (20 mm), six-digit, seven-segment

Status Annunciators:

Gross, net, center of zero, standstill, lb, kg, tare, preset tare

Keys/Buttons:

Flat membrane panel, embossed keys, tactile feel

Rating/Material:

Enclosure: NEMA Type 4X/IP66, heavy-gauge stainless steel

Approvals:

NTEP 12-123
Measurement Canada AM-5892C
CE Marked
cULus Listed

Warranty:

Two-year limited

Approvals



Measurement Canada Approved



Dimensions

CW-90B Bench Scale and 482/482 Plus Indicator

10 × 10 in

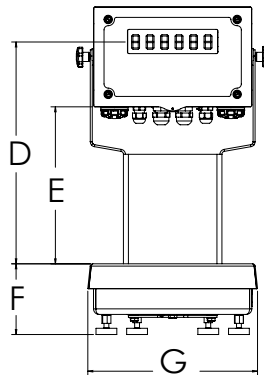
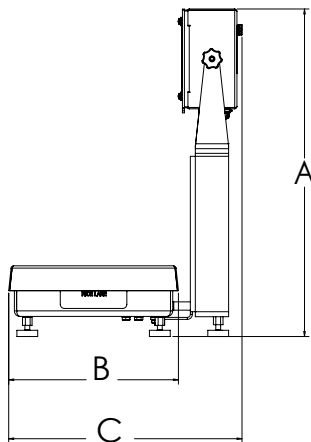
A	19.50 in	E	9.25 in
B	10.25 in	F	4.25 in
C	14.53 in	G	10.25 in
D	13.25 in		

Note: 1 in = 25.4 mm

12 × 12 in

A	19.50 in	E	9.25 in
B	12.25 in	F	4.25 in
C	16.53 in	G	12.25 in
D	13.25 in		

Note: 1 in = 25.4 mm



CW-90B with 482 indicator

Ready-n-Weigh Bench Scale System

CW-90B Bench Scale and 482/482 Plus Indicator Package

CW-90B with 482 Package

Part #	Platform Capacity	Dimensions (L × W × H)	Est. Weight	Price
115 VAC, LCD, US Plug-Type B				
201463	5 lb (2.5 kg)	10 × 10 × 4.25 in	24 lb	Consult
201464	10 lb (5 kg)	10 × 10 × 4.25 in	24 lb	Consult
201465	25 lb (10 kg)	10 × 10 × 4.25 in	24 lb	Consult
201466	25 lb (10 kg)	12 × 12 × 4.25 in	27 lb	Consult
201467	50 lb (25 kg)	12 × 12 × 4.25 in	27 lb	Consult
201468	100 lb (50 kg)	12 × 12 × 4.25 in	27 lb	Consult
90-264 VAC, LCD, Euro Plug-Type E				
201480	5 lb (2.5 kg)	10 × 10 × 4.25 in	24 lb	Consult
201485	10 lb (5 kg)	10 × 10 × 4.25 in	24 lb	Consult
201486	25 lb (10 kg)	10 × 10 × 4.25 in	24 lb	Consult
201487	25 lb (10 kg)	12 × 12 × 4.25 in	27 lb	Consult
201488	50 lb (25 kg)	12 × 12 × 4.25 in	27 lb	Consult
201489	100 lb (50 kg)	12 × 12 × 4.25 in	27 lb	Consult

CW-90B with 482 Package

Part #	Platform Capacity	Dimensions (L × W × H)	Est. Weight	Price
115 VAC, LCD, Numeric keypad, US Plug-Type B				
201469	5 lb (2.5 kg)	10 × 10 × 4.25 in	24 lb	Consult
201475	10 lb (5 kg)	10 × 10 × 4.25 in	24 lb	Consult
201476	25 lb (10 kg)	10 × 10 × 4.25 in	24 lb	Consult
201477	25 lb (10 kg)	12 × 12 × 4.25 in	27 lb	Consult
201478	50 lb (25 kg)	12 × 12 × 4.25 in	27 lb	Consult
201479	100 lb (50 kg)	12 × 12 × 4.25 in	27 lb	Consult
90-264 VAC, LCD, Numeric keypad, Euro Plug-Type E				
201490	5 lb (2.5 kg)	10 × 10 × 4.25 in	24 lb	Consult
201491	10 lb (5 kg)	10 × 10 × 4.25 in	24 lb	Consult
201492	25 lb (10 kg)	10 × 10 × 4.25 in	24 lb	Consult
201493	25 lb (10 kg)	12 × 12 × 4.25 in	27 lb	Consult
201494	50 lb (25 kg)	12 × 12 × 4.25 in	27 lb	Consult
201495	100 lb (50 kg)	12 × 12 × 4.25 in	27 lb	Consult



† US plug (NA) - Type B



** Euro Plug - Type E