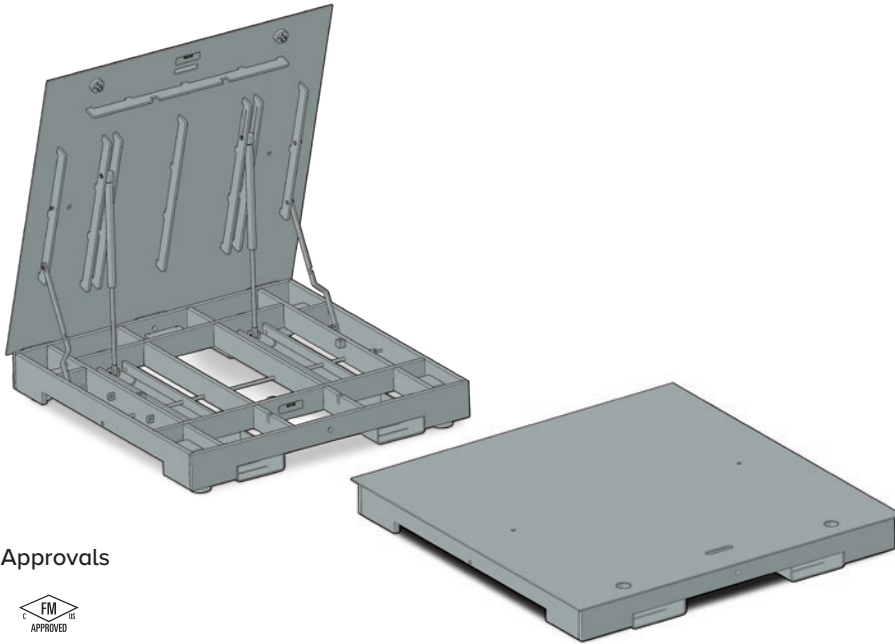


# RoughDeck® QC-XP

Quick Clean Extreme Portable Solid Base Plate Floor Scale



## Approvals



## Part Number/Price

Part #	Size (W × L × H)	Capacity	Price
<b>Smooth Top Plate</b>			
193283	4 ft × 4 ft × 7 in	5,000 lb (2,500 kg)	Consult
193284	4 ft × 4 ft × 7 in	10,000 lb (5,000 kg)	Consult
<b>Diamond Tread Top Plate</b>			
193287	4 ft × 4 ft × 7 in	5,000 lb (2,500 kg)	Consult
193288	4 ft × 4 ft × 7 in	10,000 lb (5,000 kg)	Consult

## Options/Accessories

Part #	Description	Price
28740	Floor stand for indicator, 36.3 in high, stainless steel	Consult
18778	Floor anchor plates, stainless steel (set of two)	Consult

## Standard Features

- Designed with forklift pockets, allowing the scale to be portable
- Rugged washdown design, rigid 304 stainless steel frame constructed with continuous welds
- Meets HACCP requirements
- Manual drop-in-place safety bars
- Four stainless steel, hermetically sealed, IP69K shear beam load cells with 30 ft cables
- 20 ft of SURVIVOR® EL147HE hostile environment cable for connecting junction box to indicator
- Internally mounted junction box can be mounted up to 15 ft away
- 1/4 in top plate
- Four adjustable stainless steel SUREFOOT™ support feet
- Top plate opens 75 degrees
- Tool-less top plate lock downs
- Top plate available with a smooth deck or diamond treadplate
- Two 1/2-20 NF threaded eyebolt holes for lifting scale into pit frame

## Specifications

### End Load Capacity:

- 100% full scale at 5,000 lb
- 80% full scale at 10,000 lb

### Cable Length:

- 20 ft (6.1 m) for connecting junction box to indicator

### Scale Weldment:

- AISI304L, glass bead blasted for even appearance

### Junction Box:

- TuffSeal® JB4SS stainless steel, NEMA Type 4X junction box with signal trim card

### Welding:

- Continuous

### Threaded Eyebolt:

- Two 1/2-20 NF threaded eyebolt holes for lifting scale into pit frame

### Warranty (limited):

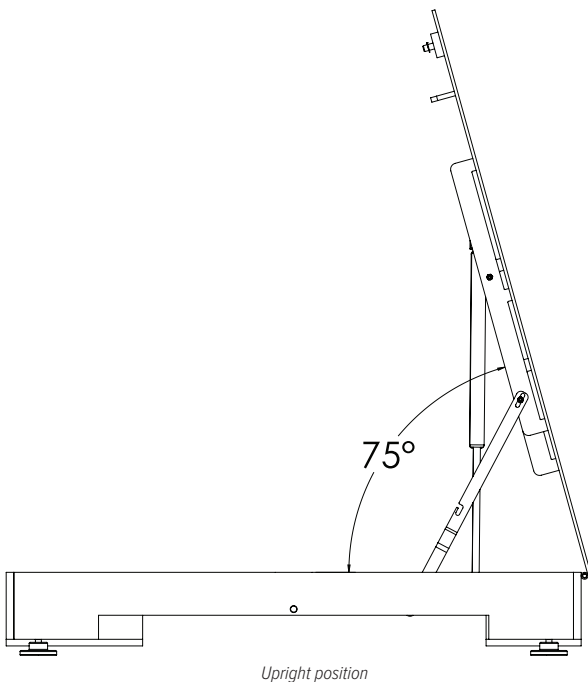
- Weldment: Five-year
- Load cells: Two-year
- All other components: One-year

### Approvals:

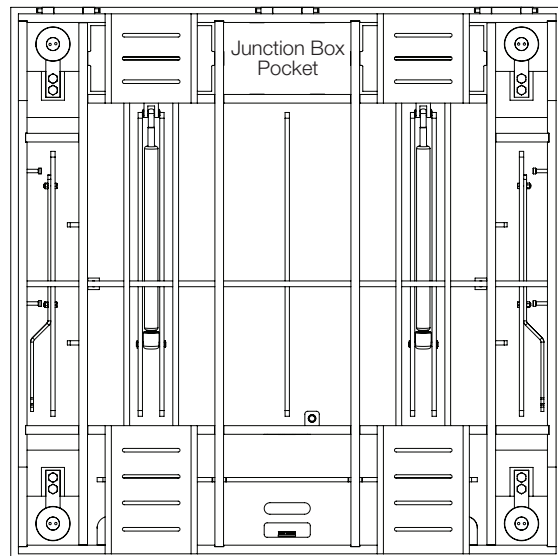
- cFMus

FLOOR SCALES

Forklift pocket dimensions are 2.25 in tall x 7.50 in wide



Upright position



Underdeck View